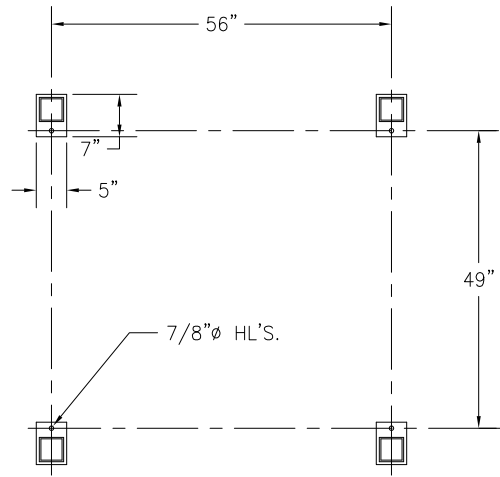
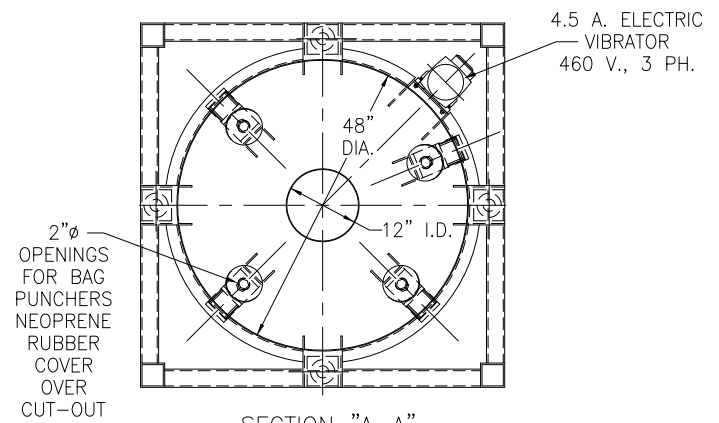


TOP



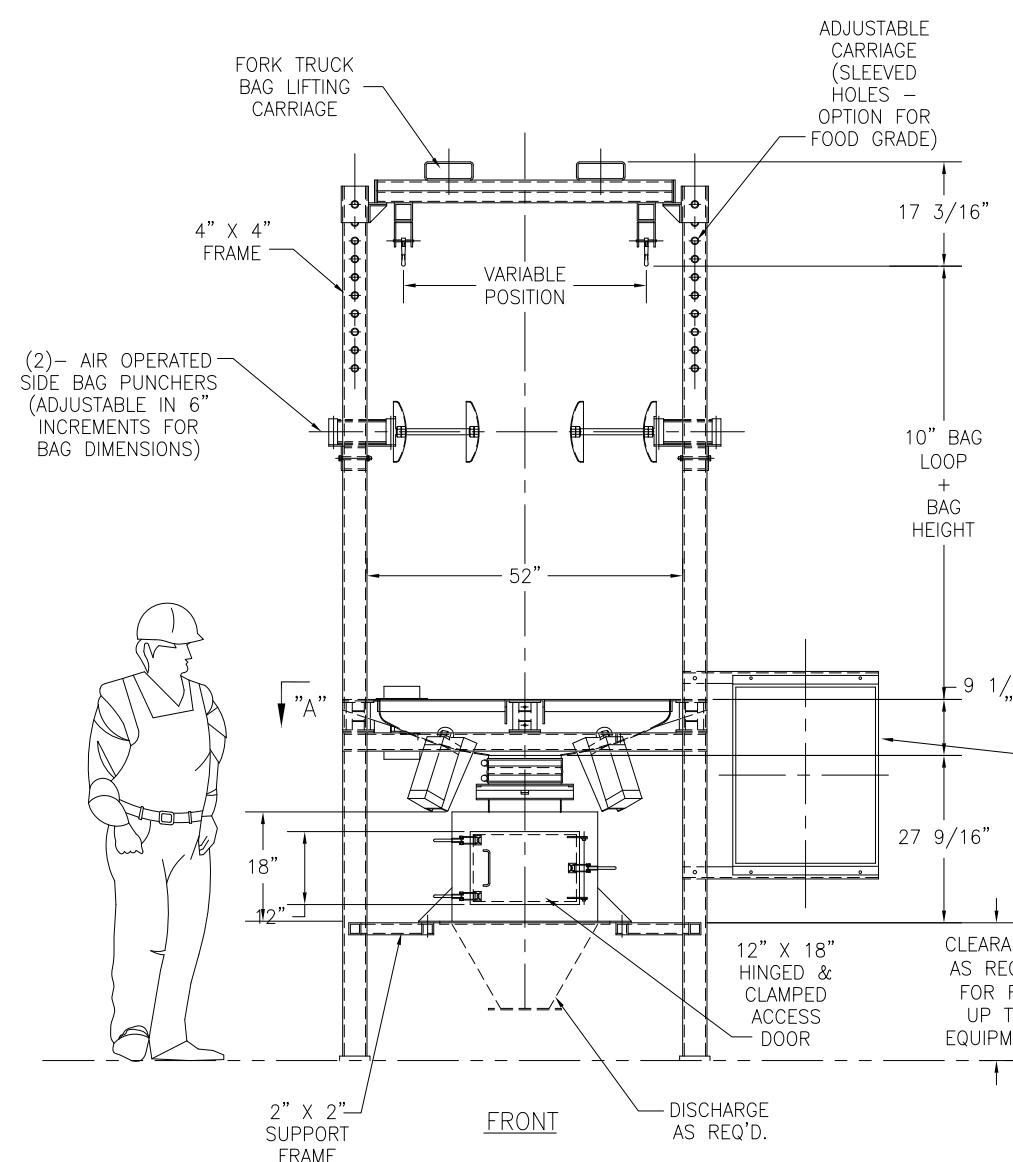
MOUNTING PLAN
 (4)- 3/4" ANCHORS REQ'D.
 SHIM & GROUTING REQ'D.
 (4)- 3/4" BASE PLATES



SECTION "A-A"

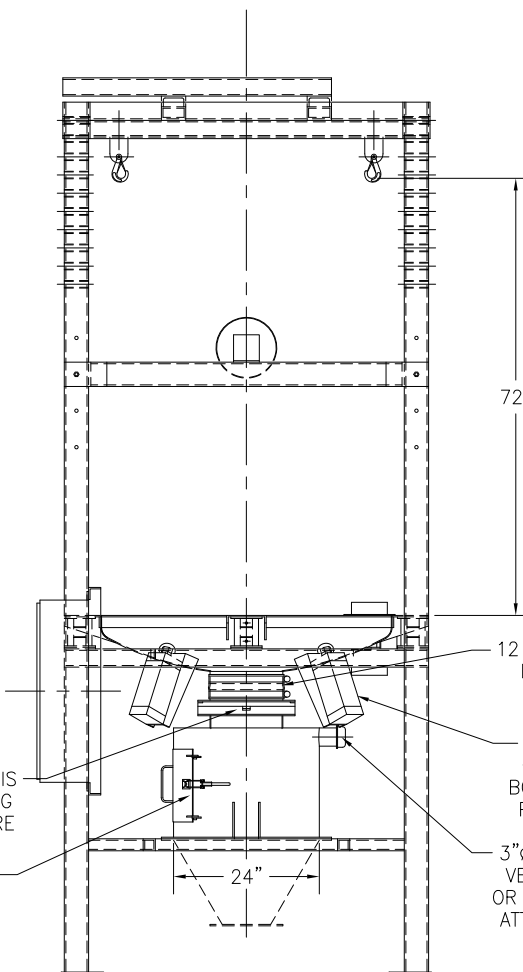
4.5 A. ELECTRIC VIBRATOR
 460 V., 3 PH.

2"Ø OPENINGS FOR BAG PUNCHERS
 NEOPRENE RUBBER COVER OVER CUT-OUT

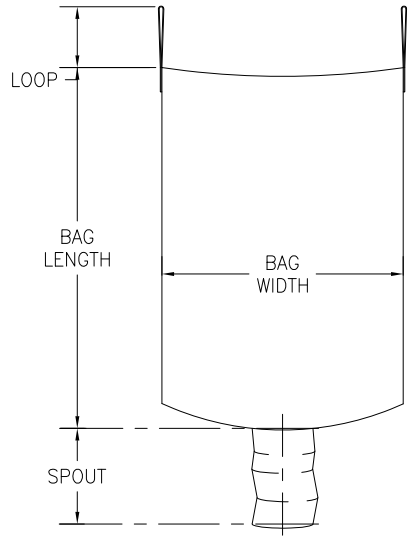


FRONT

CONTROL PANEL
 (CAN BE REMOVED FOR REMOTE LOCATION)
 (CUSTOMER TO ADVISE DESIRED LOCATION)



SIDE



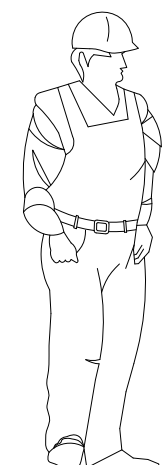
BAG DIMENSIONS

STANDARD FEATURES:

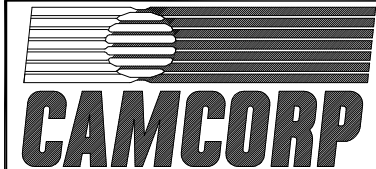
- * WELDED HEAVY DUTY CONSTRUCTION:
 - CARBON STEEL OR STAINLESS STEEL
- * STANDARD CONTAINMENT HOPPER
- * BAG PAN W/VIBRATION ISOLATORS
- * 12" IRIS FLOW CONTROL VALVE
- * FACTORY PRE-WIRE & PLUMBING AS REQ'D.

OPTIONAL FEATURES:

- * MID BAG PUNCHERS 10" DIAMETER
- * BOTTOM BAG PUNCHERS 6" DIAMETER
- * ELECTRIC VIBRATOR, 460 V., 3 PH., 60 CYCLE
- * DUST COLLECTION (200 CFM RECOMMENDED)
- * CONTROL PANEL (CUSTOM TO DESIGN)
- * PAINT:
 - PRIMED & FINISH PAINTED W/WHITE INDUSTRIAL ENAMEL OR ENVIROGREEN INDUSTRIAL ENAMEL.



REV. 3	05/29/02	DESIGN UPDATES
REV. 2	07/02/01	ADDED ROLLED ANGLE TO DISH HEAD
REV. 1	06/11/01	UPDATED BASE PLATE



9732 PFLUMM, LENEXA, KS 66245 PHONE: 913-831-0740 FAX: 913-831-9271

TITLE: MODEL BBU4000-F
 GENERAL ARRANGEMENT

DATE: 7/11/00	DRN BY: DOTY	DWG. NO.: BBUMANUAL1	P.S.: 32-00	REV.: 3
------------------	-----------------	-------------------------	----------------	------------