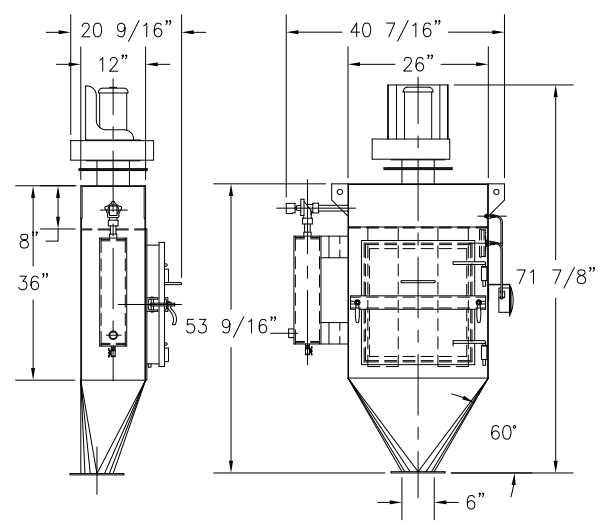
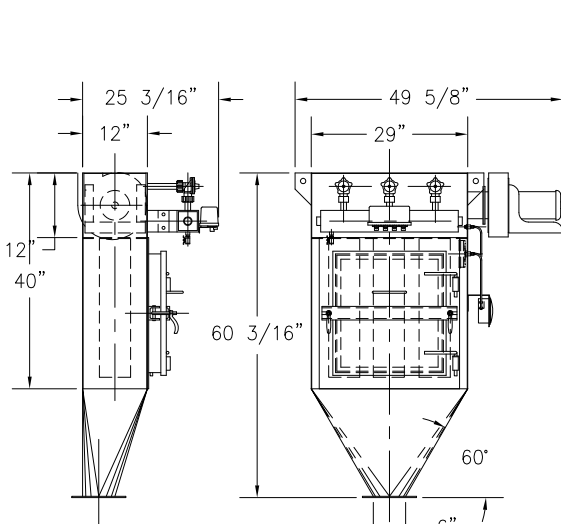


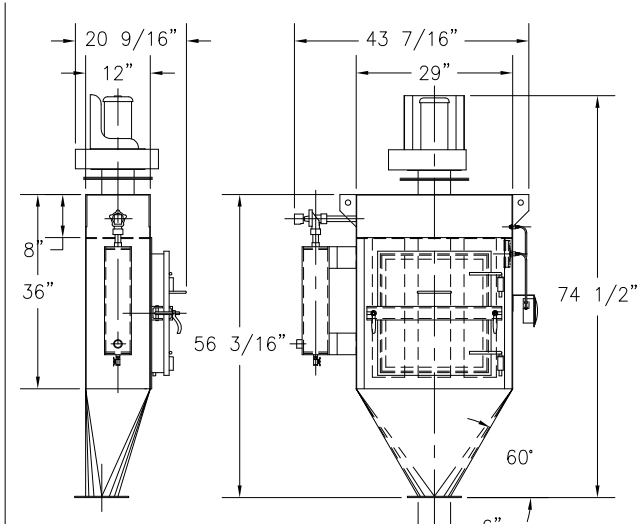
MODEL 2SFBH25X2
23.6 SQ.FT/45 PLEAT



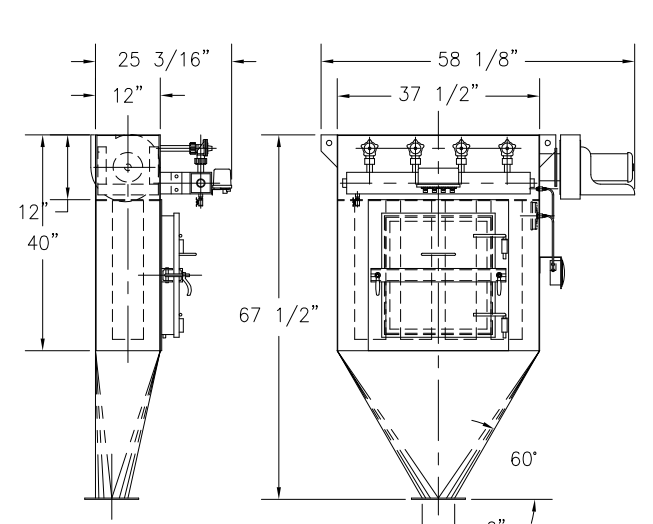
MODEL 1SFBH25X2
23.6 SQ.FT/45 PLEAT



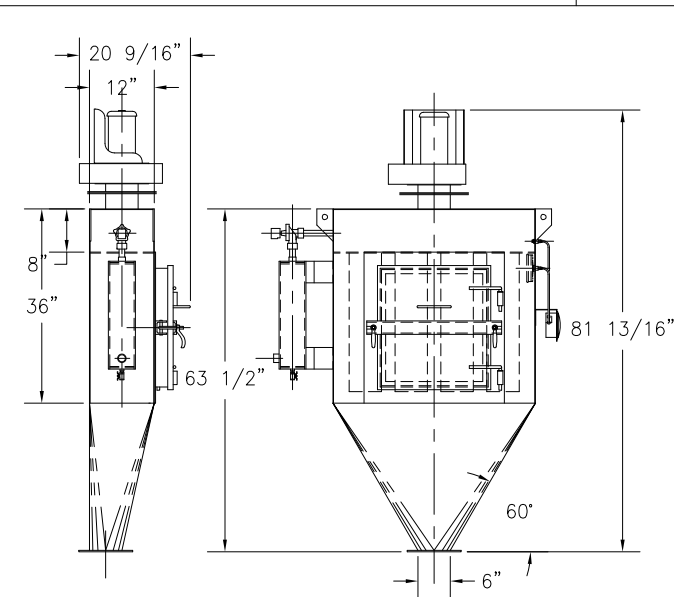
MODEL 3SFBH25X3
35.4 SQ.FT/45 PLEAT



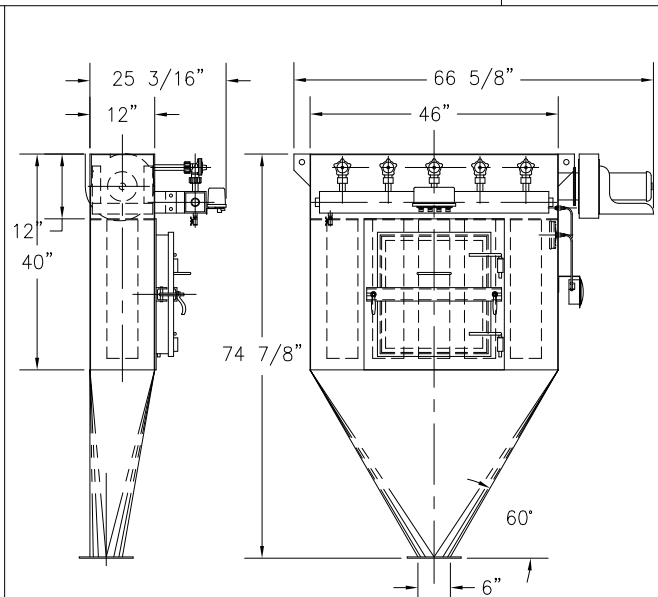
MODEL 1SFBH25X3
35.4 SQ.FT/45 PLEAT



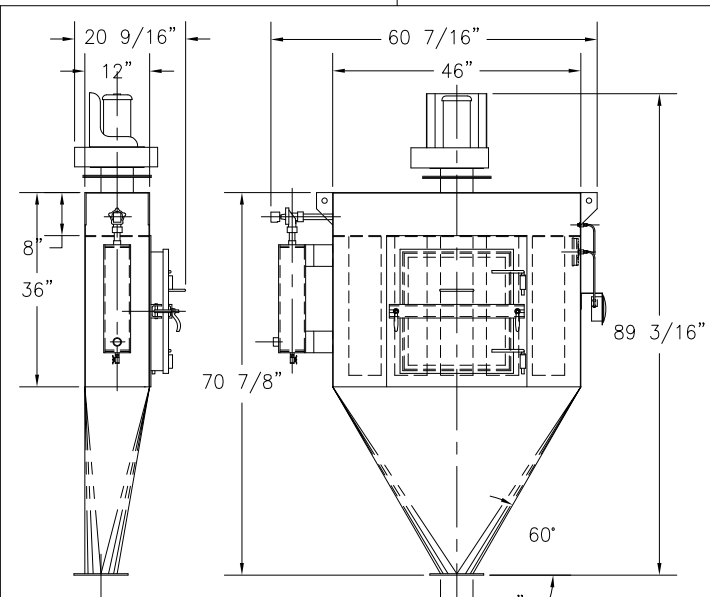
MODEL 4SFBH25X4
47.2 SQ.FT/45 PLEAT



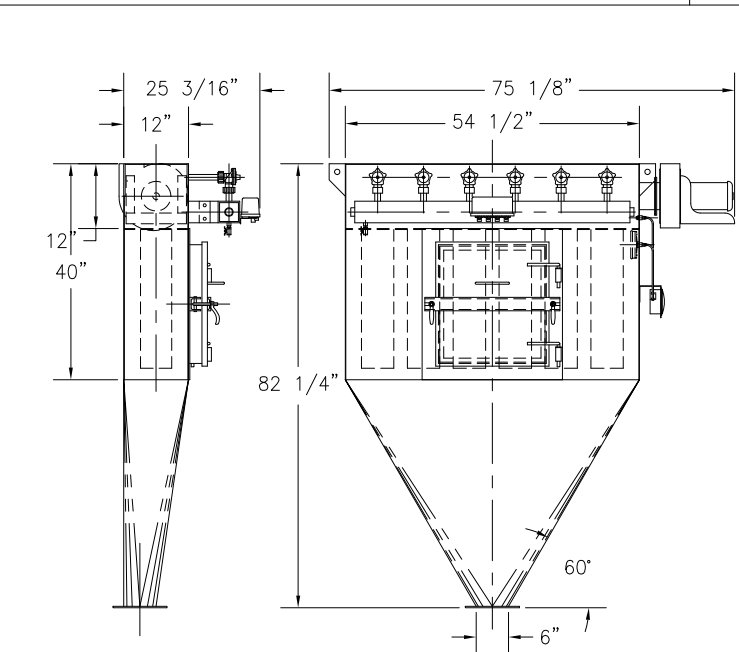
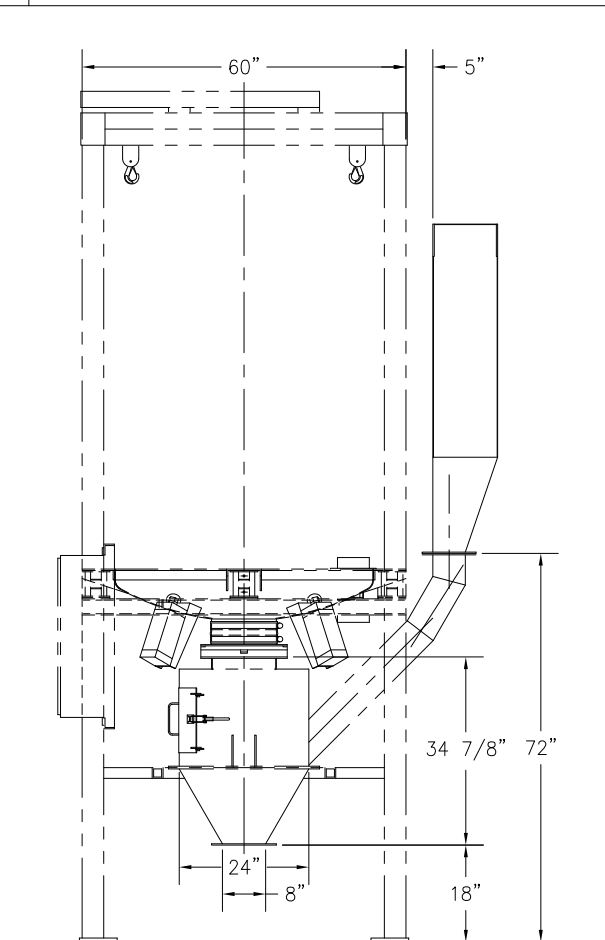
MODEL 1SFBH25X4
47.2 SQ.FT/45 PLEAT



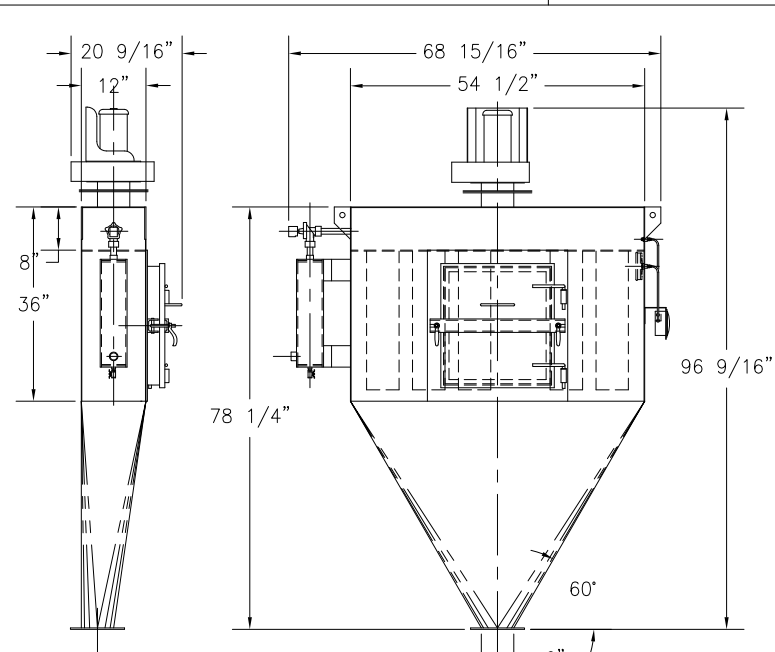
MODEL 5SFBH25X5



MODEL 1SFBH25X5
59 SQ.FT/45 PLEAT



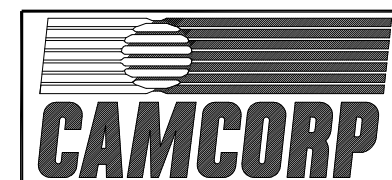
MODEL 6SFBH25X6
70.8 SQ.FT/45 PLEAT



MODEL 1SFBH25X6
70.8 SQ.FT/45 PLEAT

ALSO AVAILABLE

MODEL	45 PLEAT	60 PLEAT
2SFBH45X2	56.8 SQ.FT.	76.8 SQ.FT.
3SFBH45X3	85.2 SQ.FT.	115.2 SQ.FT.
4SFBH45X4	113.6 SQ.FT.	153.6 SQ.FT.
5SFBH45X5	142 SQ.FT.	192 SQ.FT.
6SFBH45X6	170.4 SQ.FT.	230.4 SQ.FT.
1SFBH45X2	56.8 SQ.FT.	76.8 SQ.FT.
1SFBH45X3	85.2 SQ.FT.	115.2 SQ.FT.
1SFBH45X4	113.6 SQ.FT.	153.6 SQ.FT.
1SFBH45X5	142 SQ.FT.	192 SQ.FT.
1SFBH45X6	170.4 SQ.FT.	230.4 SQ.FT.



9732 PFLUMM, LENEXA, KS 66245 PHONE: 913-831-0740 FAX: 913-831-9271

TITLE: BULK BAG UNLOADER INTEGRAL DUST COLLECTORS

DATE: 8/16/00	DRN BY: DOTY	DWG. NO.: BAGUNLDUSTCOL1	P.S.: 36-00	REV.: 0
------------------	-----------------	-----------------------------	----------------	------------