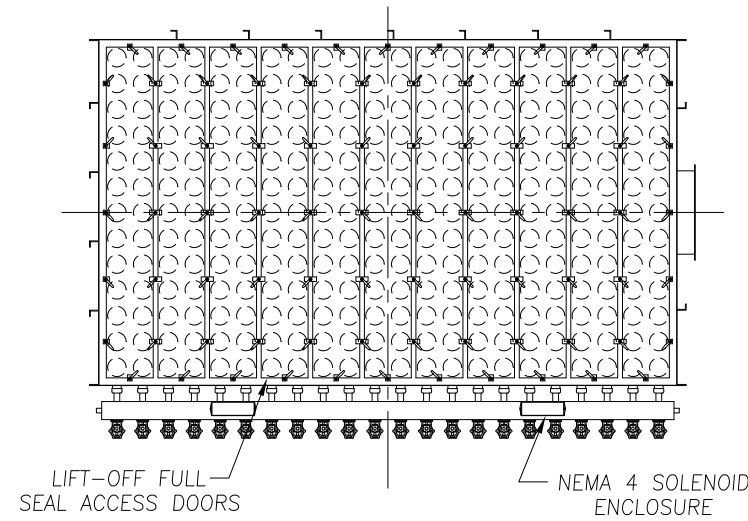


CAMCORP MODELS 47TR8X752 TO 60TR12X960

MODEL NUMBER	FILTER MEDIA (SQ. FT.)	QUAN. OF BAGS	BAG LENGTH (IN FT.)	DIMENSIONS (INCHES)		EST. INSTALLED WT.
				A	B	
47TR8X752	9626	752	8	230	403	25714
47TR10X752	12032		10	254		29721
47TR12X752	14438		12	278		32306
48TR8X768	9830	768	8	230	411 1/2	26267
48TR10X768	12288		10	254		30380
48TR12X768	14746		12	278		33035
49TR8X784	10035	784	8	230	420	26733
49TR10X784	12544		10	254		30902
49TR12X784	15053		12	278		33595
50TR8X800	10240	800	8	230	428 1/2	27199
50TR10X800	12800		10	254		31424
50TR12X800	15360		12	278		34154
51TR8X816	10445	816	8	230	437	27752
51TR10X816	13056		10	254		32083
51TR12X816	15667		12	278		34884
52TR8X832	10650	832	8	230	445 1/2	28218
52TR10X832	13312		10	254		32605
52TR12X832	15974		12	278		35444
53TR8X848	10854	848	8	230	454	28684
53TR10X848	13568		10	254		33127
53TR12X848	16282		12	278		36003
54TR8X864	11059	864	8	230	462 1/2	29236
54TR10X864	13824		10	254		33787
54TR12X864	16589		12	278		36733
55TR8X880	11264	880	8	230	471	29735
55TR10X880	14080		10	254		34345
55TR12X880	16896		12	278		37329
56TR8X896	11469	896	8	230	479 1/2	30169
56TR10X896	14336		10	254		34831
56TR12X896	17203		12	278		37852
57TR8X912	11674	912	8	230	488	30721
57TR10X912	14592		10	254		35490
57TR12X912	17510		12	278		38581
58TR8X928	11878	928	8	230	496 1/2	31187
58TR10X928	14848		10	254		36012
58TR12X928	17818		12	278		39141
59TR8X944	12083	944	8	230	505	31709
59TR10X944	15104		10	254		36640
59TR12X944	18125		12	278		39824
60TR8X960	12288	960	8	230	513 1/2	32206
60TR10X960	15360		10	254		37193
60TR12X960	18432		12	278		40430

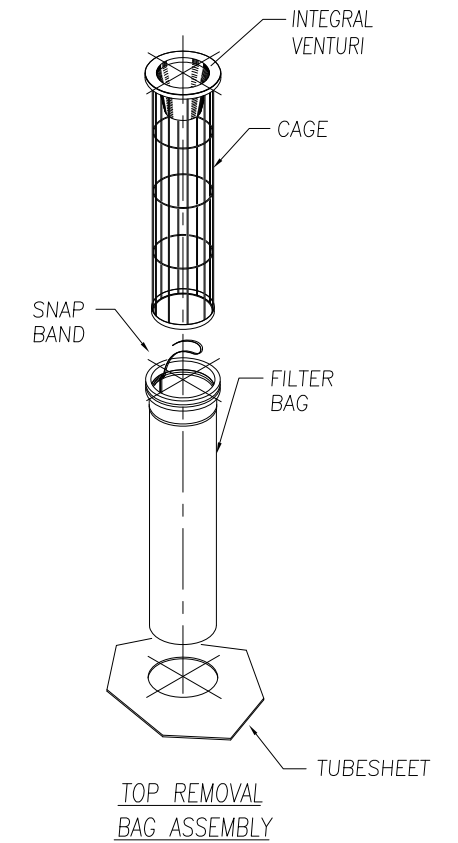
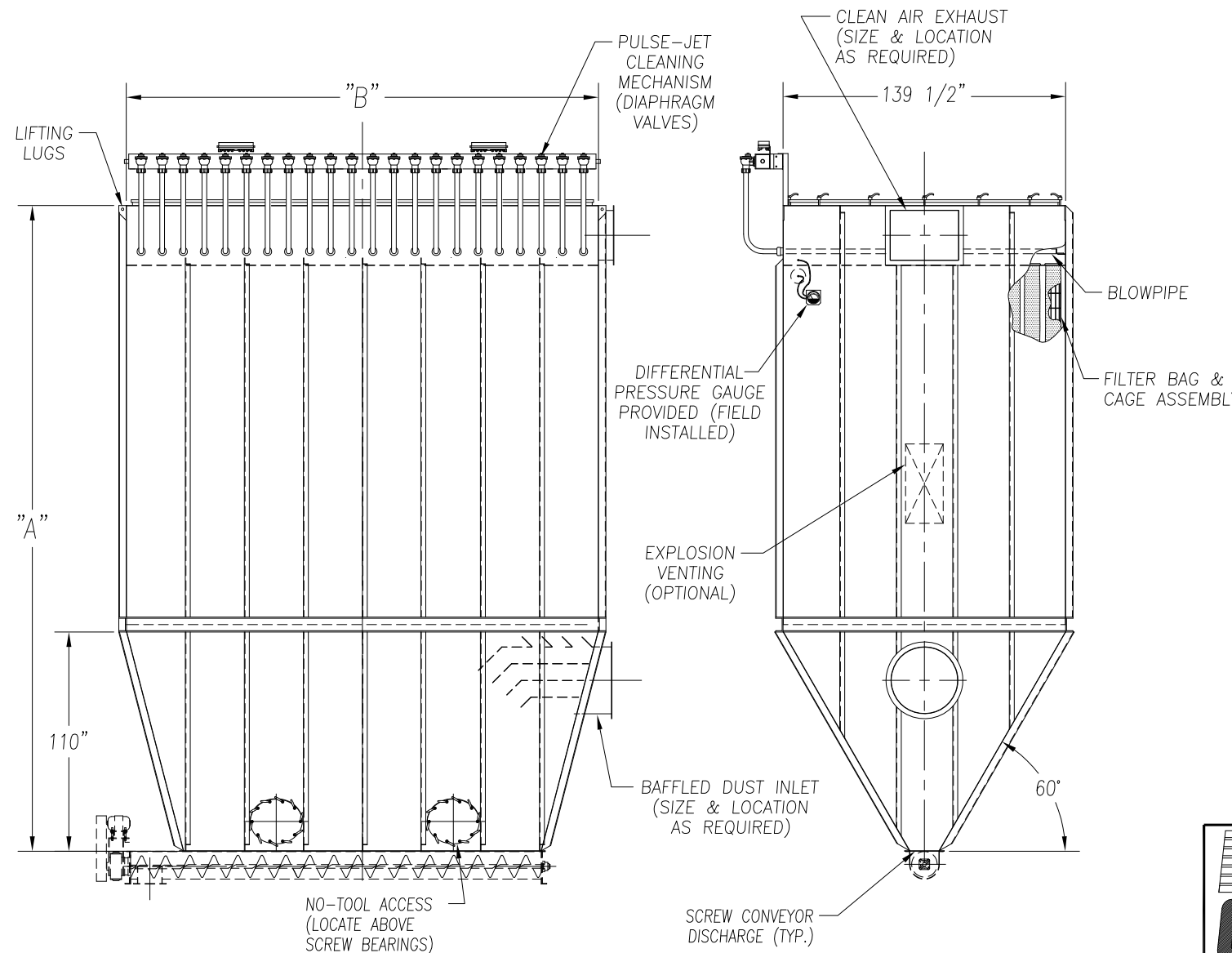


STANDARD FEATURES

1. ALL WELDED HEAVY-DUTY CONSTRUCTION
2. PRESSURE/VACUUM RATING: +/-20"W.C.
3. STANDARD MATERIALS OF CONSTRUCTION: CARBON STEEL, STAINLESS STEEL, ALUMINUM
4. STANDARD ELECTRICALS: NEMA 4 TIMER AND SOLENOID ENCLOSURES
5. PAINT IS STANDARD WHITE OR ENVIROGREEN INDUSTRIAL ENAMEL.

OPTIONAL FEATURES

1. STRUCTURAL SUPPORTS
2. SERVICE PLATFORMS
3. EXPLOSION VENTING
4. EXPLOSION-PROOF ELECTRICALS
5. HIGHER PRESSURE/VACUUM RATING
6. BIN VENT STYLE
7. WIDE BAG SPACING
8. WALK-IN CLEAN AIR PLENUM



TOP REMOVAL BAG DUST COLLECTOR (752 TO 960 BAGS)



9732 PFLUMM, LENEXA, KS 66215 PHONE: 913-831-0740 • FAX: 913-831-9271

TITLE: TOP REMOVAL BAG DUST COLLECTORS MODEL 47TR8X752 TO 60TR12X960 (752 TO 960 BAGS)				
DATE: 10/03/01	DRN BY: DES	DWG. NO.: CAT-TBA3-3	P.S.: 64-00	REV.: #1