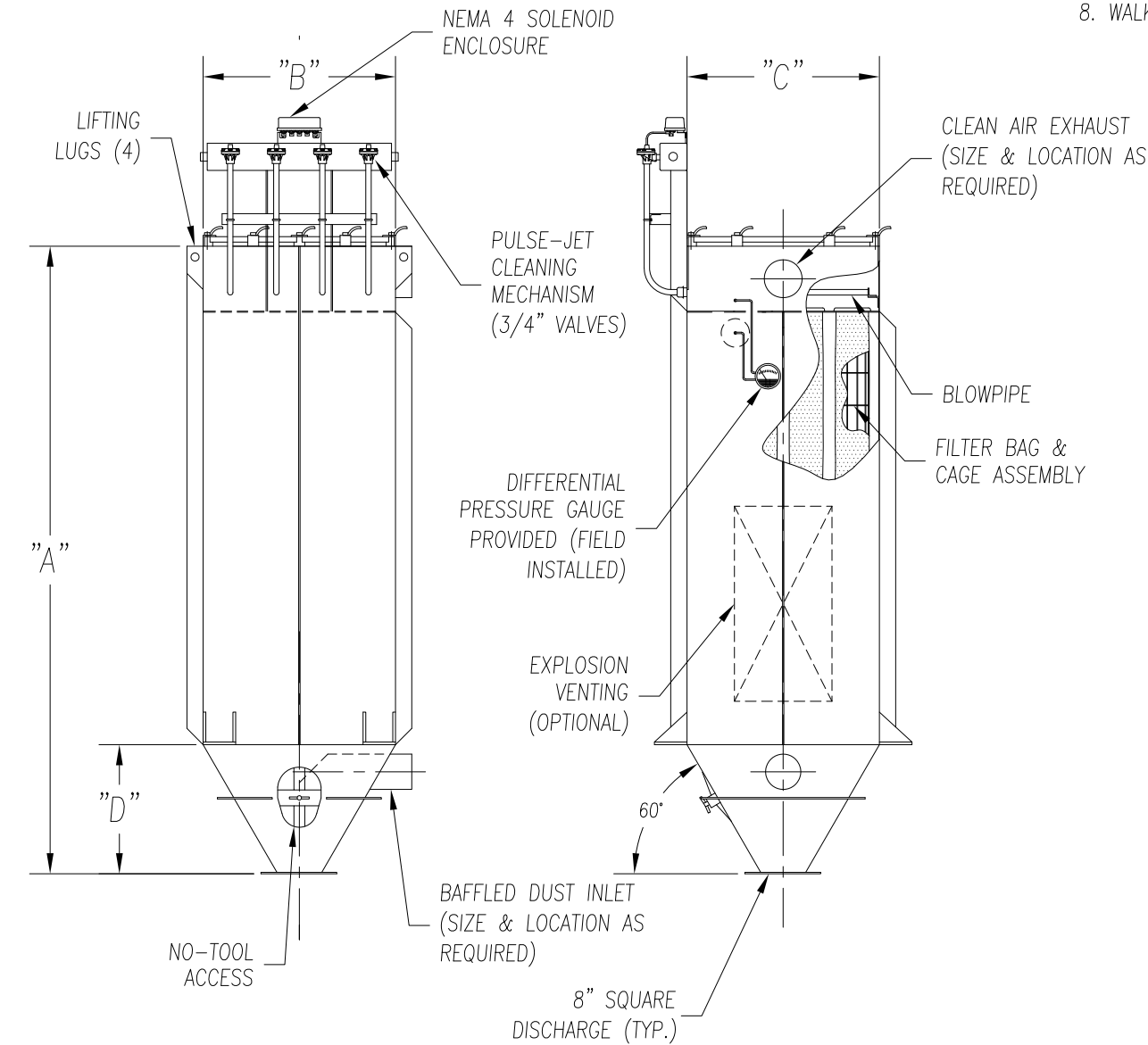
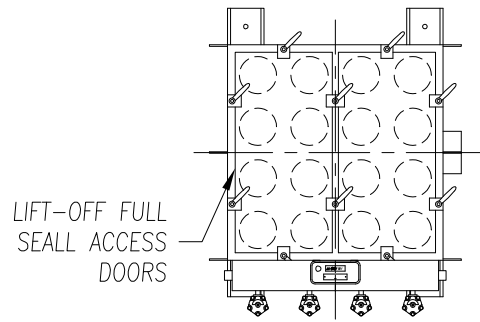


CAMCORP MODELS 3TR2X9 TO 7TR10X63

MODEL NUMBER	FILTER MEDIA (SQ. FT.)	QUAN. OF BAGS	BAG LENGTH (IN FT.)	DIMENSIONS (INCHES)					EST. INSTALLED WT.
				A	B	C	D	E	
3TR2X9	29	9	2	56 1/2	29	29	18 1/2	38	417
3TR4X9	58		4	80 1/2				62	543
3TR6X9	86		6	104 1/2				86	669
3TR8X9	115		8	128 1/2				110	794
3TR10X9	144		10	152 1/2				134	921
3TR6X12	115	12	6	112	29	37 1/2	26	86	805
3TR8X12	154		8	136				110	948
3TR10X12	192		10	160				134	1092
3TR6X15	144	15	6	119	29	46	33	86	924
3TR8X15	192		8	143				110	1085
3TR10X15	240		10	167				134	1248
4TR6X16	154	16	6	112	37 1/2	37 1/2	26	86	941
4TR8X16	205		8	136				110	1104
4TR10X16	256		10	160				134	1268
4TR6X20	192	20	6	119	37 1/2	46	33	86	1075
4TR8X20	256		8	143				110	1257
4TR10X20	320		10	167				134	1440
4TR6X24	230	24	6	126 1/2	37 1/2	54 1/2	40 1/2	86	1261
4TR8X24	307		8	150 1/2				110	1473
4TR10X24	384		10	174 1/2				134	1687
5TR6X25	240	25	6	119	46	46	33	86	1220
5TR8X25	320		8	143				110	1423
5TR10X25	400		10	167				134	1627
5TR6X30	288	30	6	126 1/2	46	54 1/2	40 1/2	86	1422
5TR8X30	384		8	150 1/2				110	1657
5TR10X30	480		10	174 1/2				134	1893
5TR6X35	336	35	6	134	46	63	48	86	1610
5TR8X35	448		8	158				110	1866
5TR10X35	560		10	182				134	2123
6TR6X36	346	36	6	126 1/2	54 1/2	54 1/2	40 1/2	86	1641
6TR8X36	461		8	150 1/2				110	1909
6TR10X36	576		10	174 1/2				134	2178
6TR8X42	538	42	8	158	54 1/2	63	48	110	2138
6TR10X42	672		10	182				134	2430
6TR8X48	614	48	8	165	54 1/2	71 1/2	55	110	2338
6TR10X48	768		10	189				134	2653
7TR8X49	627	49	8	158	63	63	48	110	2342
7TR10X49	784		10	182				134	2658
7TR8X56	717	56	8	165	63	71 1/2	55	110	2558
7TR10X56	896		10	189				134	2899
7TR8X63	806	63	8	172 1/2	63	80	62 1/2	110	3308
7TR10X63	1008		10	196 1/2				134	3685



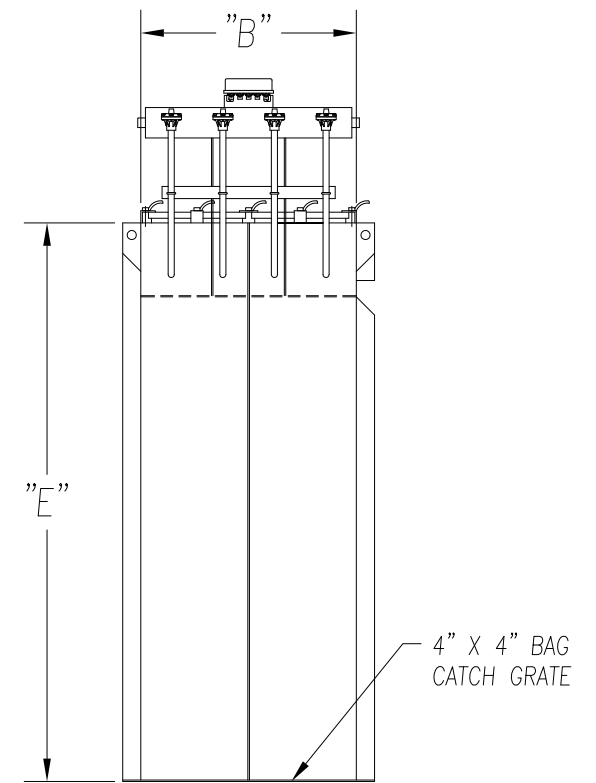
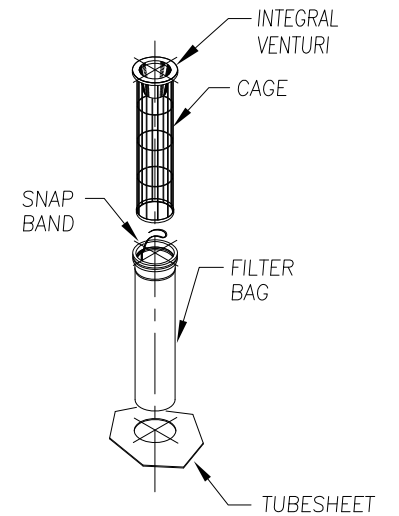
TOP REMOVAL BAG DUST COLLECTOR ( 9 TO 63 BAGS )

STANDARD FEATURES

1. ALL WELDED HEAVY-DUTY CONSTRUCTION
2. PRESSURE/VACUUM RATING: +/-20"W.C.
3. STANDARD MATERIALS OF CONSTRUCTION: CARBON STEEL, STAINLESS STEEL, ALUMINUM
4. STANDARD ELECTRICALS: NEMA 4 TIMER AND SOLENOID ENCLOSURES
5. PAINT IS STANDARD WHITE OR ENVIROGREEN INDUSTRIAL ENAMEL.

OPTIONAL FEATURES

1. STRUCTURAL SUPPORTS
2. SERVICE PLATFORMS
3. EXPLOSION VENTING
4. EXPLOSION-PROOF ELECTRICALS
5. HIGHER PRESSURE/VACUUM RATING
6. BIN VENT STYLE
7. WIDE BAG SPACING
8. WALK-IN CLEAN AIR PLENUM



BIN VENT STYLE

REV. 1	10/02/01	ADDED BIN VENT STYLE
9732 PFLUMM, LENEXA, KS 66215      PHONE: 913-831-0740 • FAX: 913-831-9271		
TITLE: TOP REMOVAL BAG DUST COLLECTOR MODEL 3TR2X9 TO 7TR10X63 (9 TO 63 BAGS)		
DATE: 8-10-99	DRN BY: DES	DWG. NO.: CAT-TBA1
P.S.: 32-00	REV.: #1	