

CYLINDRICAL BIN VENTS

BINPAL 2000

VENTING IS POSSIBLE FOR COMPACT SPACES

SAFER WORKING CONDITIONS.

Dropped bags, cages, and tools are a thing of the past with the 45" low-profile BinPal 2000. It's easier and safer to maintain because ladders, cages or platforms are not needed. Confined space permits are eliminated through our intelligent, compact design.

EASY ACCESS.

The top-side, lift-off door provides cleanside access to filters and no tools are required for cartridge replacement.

EFFICIENCY.

The cylindrical design allows for high-vacuum and pressure ratings and sanitary product contact. The BinPal 2000 includes state-of-the-art spun-bonded polyester filtration media which is a highly efficient, washable polyester that exceeds EPA emission standards.

COST-EFFECTIVE.

Aluminum construction makes the BinPal 2000 lightweight, corrosion resistant, and sustainable.

FLEXIBILITY.

Designed with replacement situations in mind, the BinPal 2000 can be easily adapted to existing bin openings. They are also designed to allow for optional side-mounted fans.



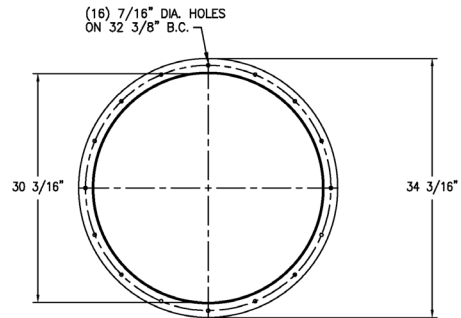
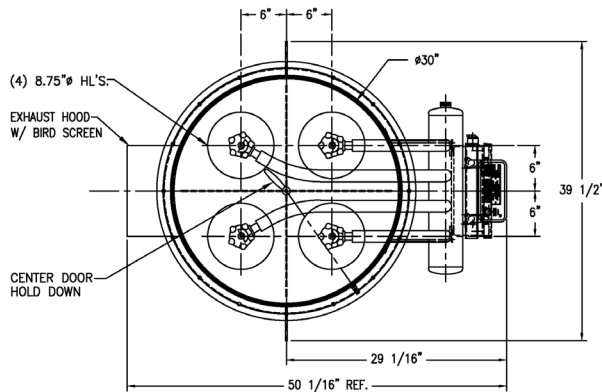
FEATURES

- Sequential timer mounted in a NEMA 4 enclosure
- Magnehelic gauge mounted on the bin vent
- Toolless cartridge removal
- Air filter/regulator with 0-100 psig pressure gauge
- Compressed air inlet isolation valve
- Compressed air drain with isolation valve
- 100% spun-bonded cartridge elements

INTELLIGENT, COMPACT DESIGN

MODEL	FILTER MEDIA (sq. ft.)	"A"	EST. SHIP WEIGHT (lbs)
BP3X26	122	N/A	175
BP3X40	192	5 1/2"	195
BP3X55	284	12 1/8"	210
BP4X26	162	N/A	185
BP4X40	256	5 1/2"	210
BP4X55	378	23 1/8"	235

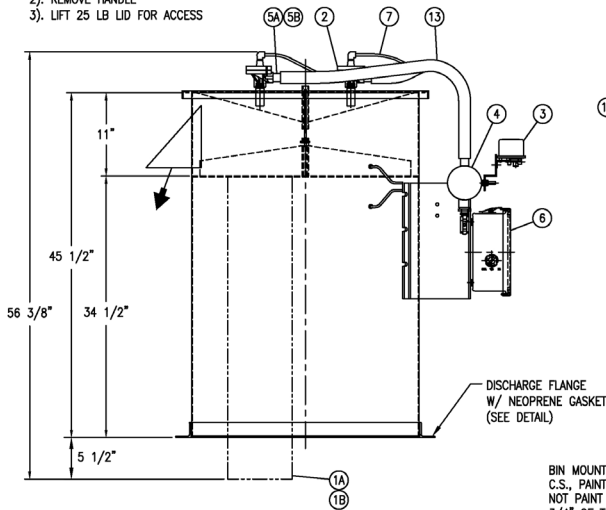
BP# = number of cartridges



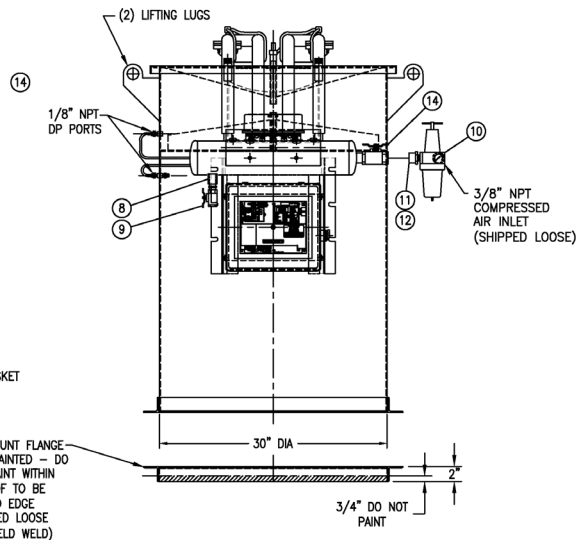
BIN MOUNTING FLANGE DETAIL
2" X 2" X 3/16" PURCHASED ANGLE RING

NOTE: CARTRIDGE REMOVAL PROCEDURE

- 1). DISCONNECT (4) HOSES FROM DIAPHRAGM VALVES
- 2). REMOVE HANDLE
- 3). LIFT 25 LB LID FOR ACCESS



SEE PLAN VIEW FOR CORRECT ORIENTATION



OPTIONS

- Photohelic gauge for on-demand cleaning
- High-temperature cartridges
- Explosion proof controls
- Fan-mounting connection
- Explosion venting
- Bin-flange adapters