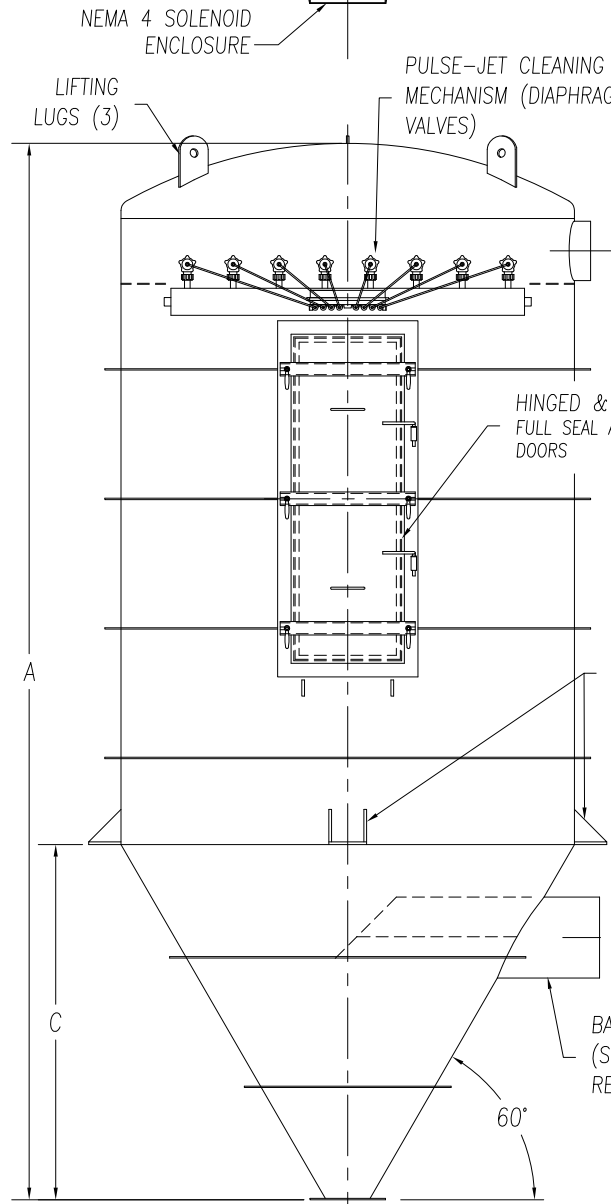
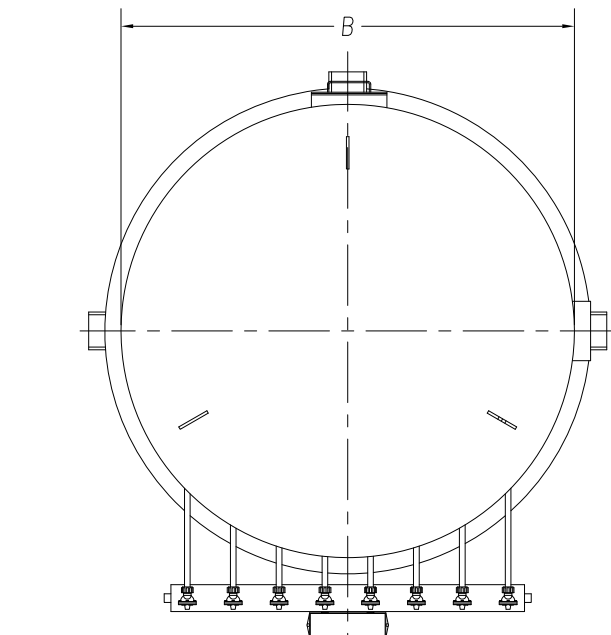
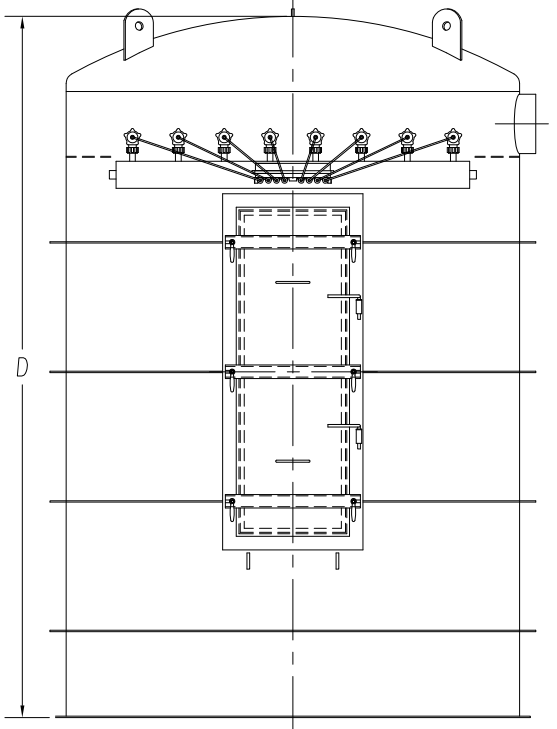
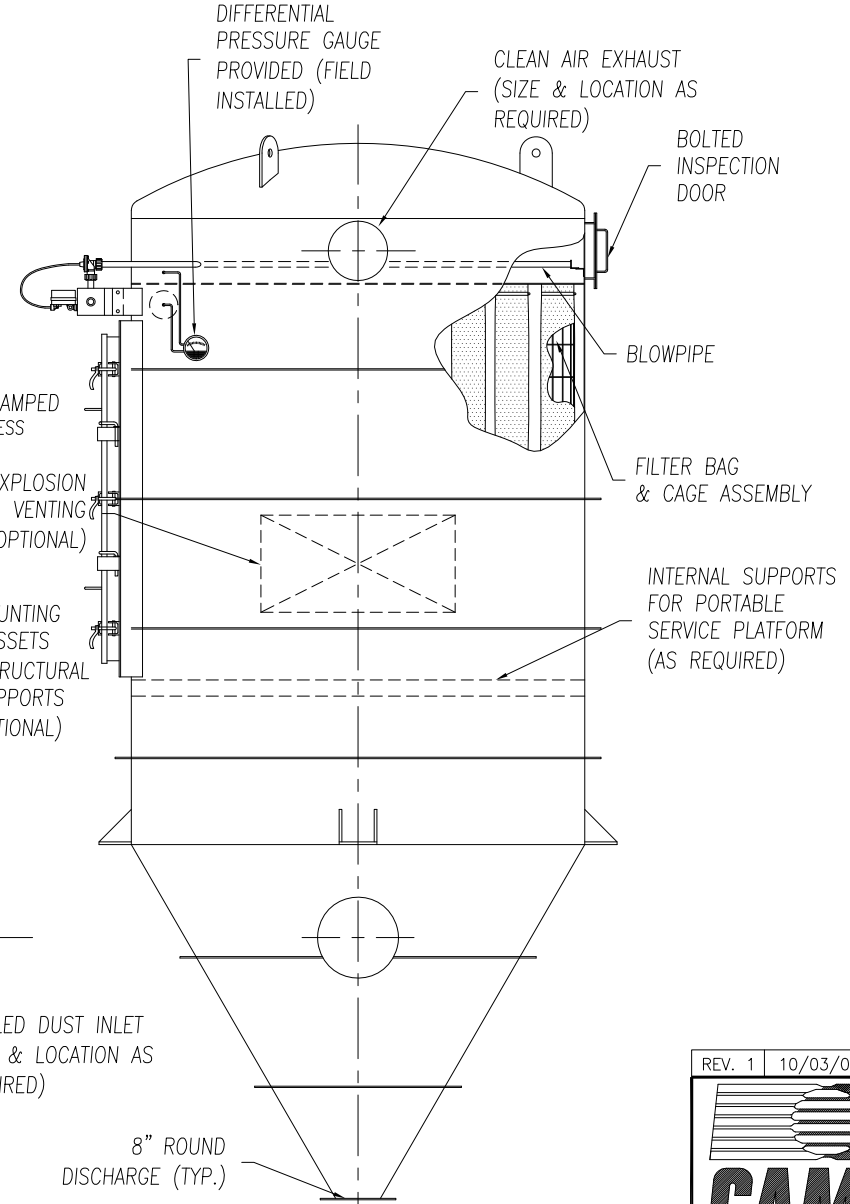
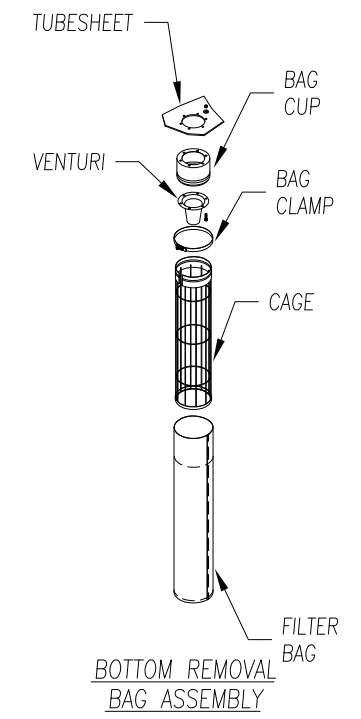


CAMCORP MODELS 2PRB4 TO 10PRB180									
MODEL NUMBER	FILTER MEDIA (SQ. FT.)	QUAN. OF BAGS	BAG LENGTH (IN FT.)	NO. OF VALVES	DIMENSIONS (INCHES)				EST. INSTALLED WT.
					A	B	C	D	
2PRB4	13	4	2	2	63 1/8	22	13	50 1/8	332
4PRB4	26		4		87 1/8			74 1/8	430
6PRB4	38		6		111 1/8			98 1/8	528
2PRB7	22	7	2	3	69	28	18	51	469
4PRB7	45		4		93			75	596
6PRB7	67		6		117			99	723
4PRB10	64	10	4	3	101	36	25	76	827
6PRB10	96		6		125			100	990
8PRB10	128		8		149			124	1153
4PRB14	90	14	4	4	104 1/2	40	28	76 1/2	987
6PRB14	134		6		128 1/2			100 1/2	1172
8PRB14	179		8		152 1/2			124 1/2	1356
6PRB19	182	19	6	5	134 3/8	46	33	101 3/8	1657
8PRB19	243		8		158 3/8			125 3/8	1923
6PRB24	230		6		141 1/4			102 1/4	1969
8PRB24	307	8	165 1/4	126 1/4	2278				
6PRB30	288	30	6	6	144 3/4	56	42	102 3/4	2194
8PRB30	384		8		168 3/4			126 3/4	2527
6PRB37	355		6		150 1/2			103 1/2	2554
8PRB37	474	8	174 1/2	127 1/2	2928				
6PRB44	422	44	6	8	156 1/4	68	52	104 1/4	2925
8PRB44	563		8		180 1/4			128 1/4	3340
6PRB52	499		6		162			105	3931
8PRB52	667	8	186	129	4498				
6PRB61	586	61	6	9	168	79	62	106	4481
8PRB61	781		8		192			130	5107
6PRB70	682		6		175 3/4			106 3/4	5440
8PRB70	909	8	199 3/4	130 3/4	6161				
6PRB80	768	80	6	10	179 1/4	90	72	107 1/4	5981
8PRB80	1024		8		203 1/4			131 1/4	6737
6PRB91	874		6		193			116	6807
8PRB91	1165	8	217	140	7622				
10PRB91	1456	10	241	164	8443				
8PRB102	1306	102	8	11	225	104	84	141	8545
10PRB102	1632		10		249			165	9439
8PRB114	1459		8		228 5/8			141 5/8	9039
10PRB114	1824	10	252 5/8	165 5/8	9980				
8PRB127	1626	127	8	13	233 3/8	113	91	142 3/8	9970
10PRB127	2032		10		257 3/8			166 3/8	10767
8PRB140	1792		8		241 3/8			143 3/8	10827
10PRB140	2240	10	265 3/8	167 3/8	11900				
8PRB154	1971	154	8	14	244 3/4	124	101	143 3/4	11602
10PRB154	2464		10		268 3/4			167 3/4	12718
8PRB169	2163		8		250 1/2			144 1/2	12495
10PRB169	2704	10	274 1/2	168 1/2	13676				
8PRB180	2304	180	8	16	252 7/8	132	108	144 7/8	12907
10PRB180	2880		10		276 7/8			168 7/8	14120

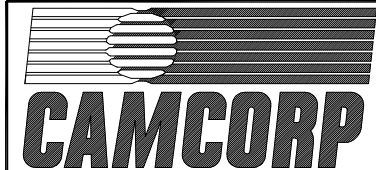


- STANDARD FEATURES**
1. ALL WELDED HEAVY-DUTY CONSTRUCTION
 2. VACUUM RATING: 17" HG
 3. STANDARD MATERIALS OF CONSTRUCTION: CARBON STEEL, STAINLESS STEEL, ALUMINUM
 4. STANDARD ELECTRICALS: NEMA 4 TIMER AND SOLENOID ENCLOSURES
 5. PAINT: STANDARD IS WHITE OR ENVIROGREEN INDUSTRIAL ENAMEL

- OPTIONAL FEATURES**
1. STRUCTURAL SUPPORTS
 2. SERVICE PLATFORMS
 3. EXPLOSION VENTING
 4. EXPLOSION-PROOF ELECTRICALS
 5. HIGHER PRESSURE/VACUUM RATING
 6. BIN VENT STYLE
 7. WIDE BAG SPACING



BOTTOM REMOVAL BAG PNEUMATIC RECEIVER (4 TO 180 BAGS)

REV. 1	10/03/01	ADDED BIN VENT STYLE
 CAMCORP <small>9732 PFLUMM, LENEXA, KS 66215 PHONE: 913-831-0740 • FAX: 913-831-9271</small>		
TITLE: BOTTOM REMOVAL BAG PNEUMATIC RECEIVER MODEL 2PRB4 TO 10PRB180 (4 TO 180 BAG)		
DATE: 8-10-99	DRN BY: DES	DWG. NO.: CAT-PRB1
P.S.: 36-00	REV.: #1	