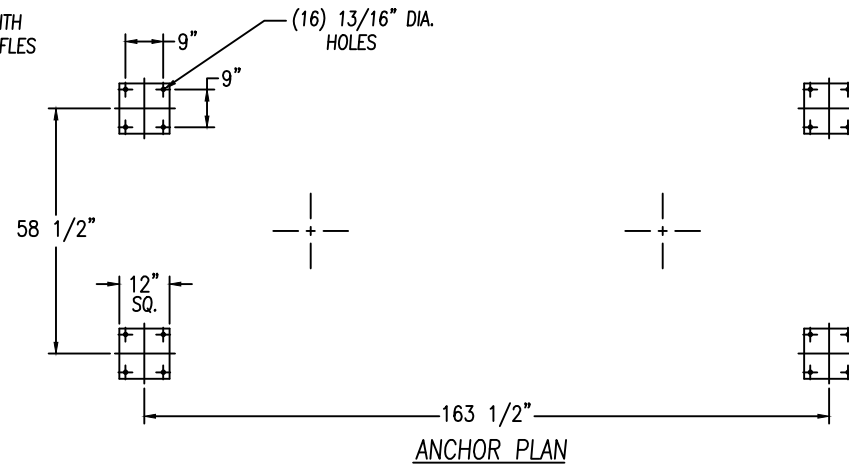


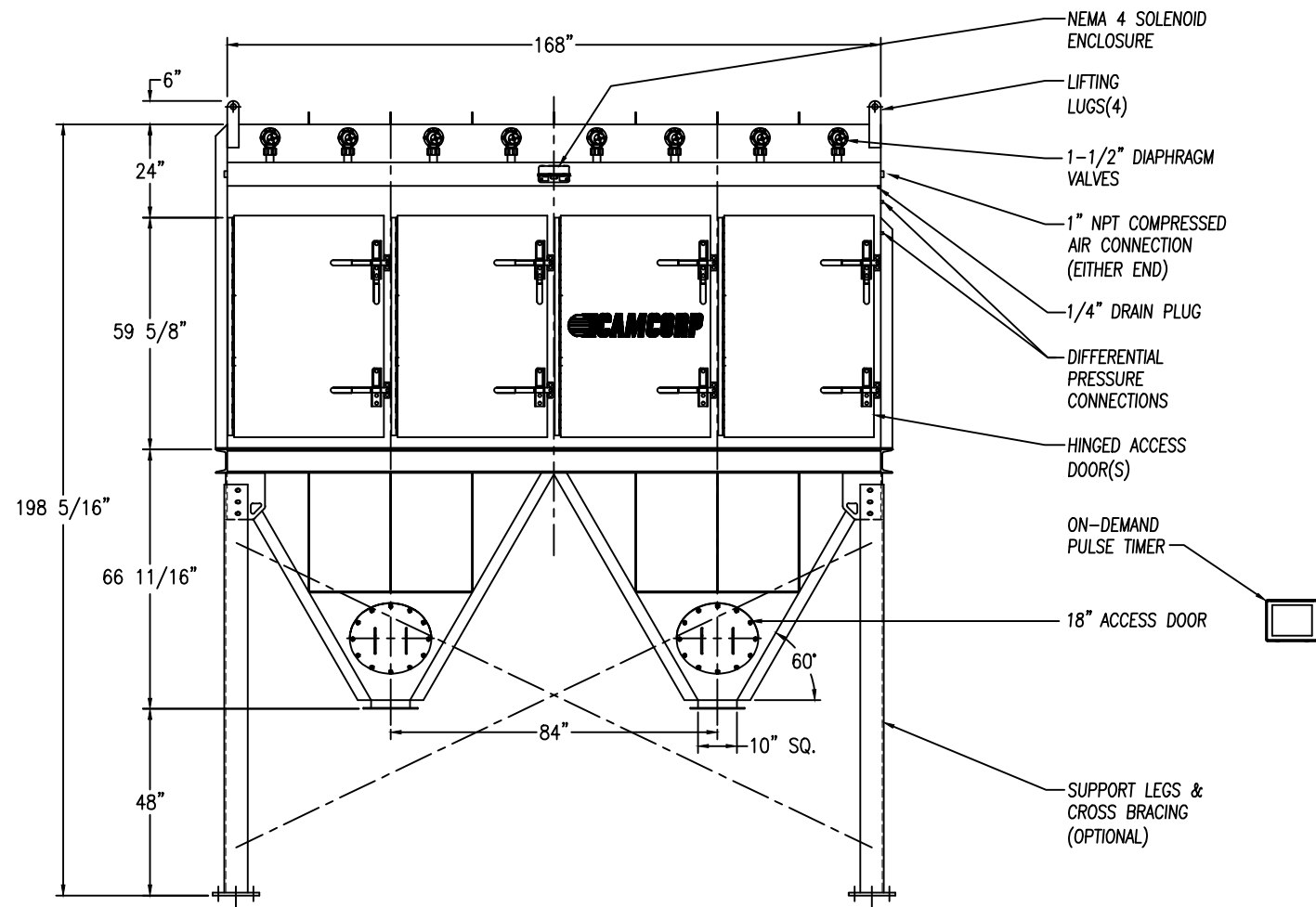
HIGH INLET WITH INTERNAL BAFFLES



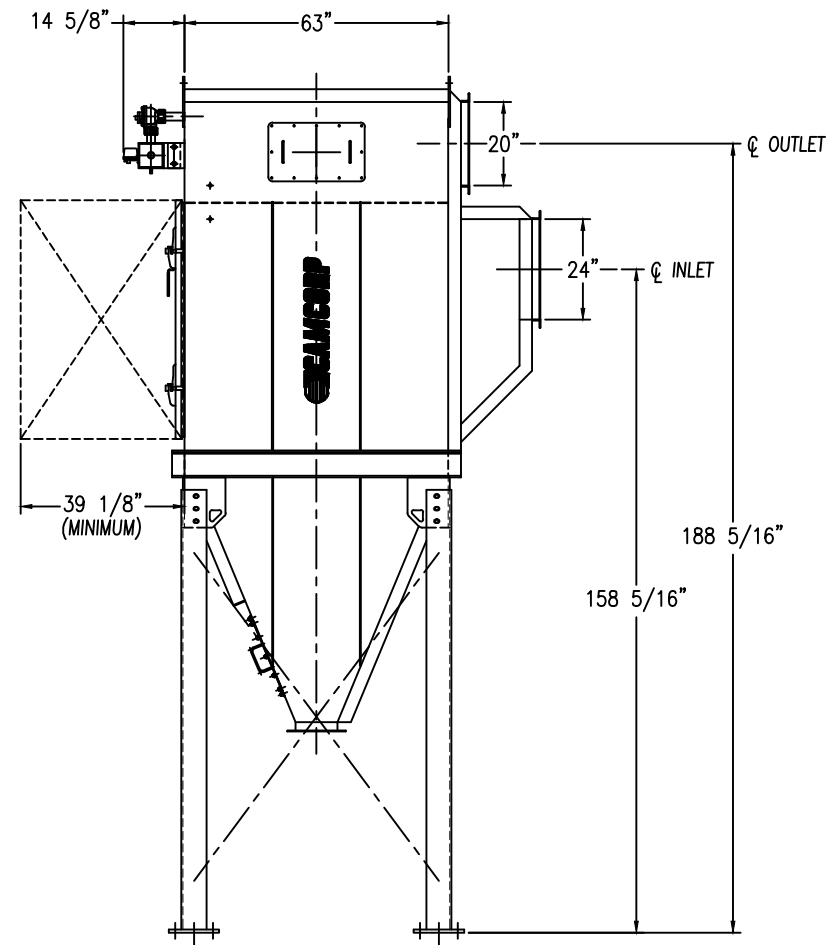
ANCHOR PLAN

STANDARD FEATURES

1. ALL WELDED HEAVY-DUTY CARBON STEEL CONSTRUCTION
2. HOUSING RATED FOR: +/-25" W.C.
3. INTERIOR DIRTY AIR PLENUM PRIMED ONLY
4. EXTERIOR PRIMED & FINISHED PAINTED WHITE INDUSTRIAL ENAMEL
5. (24) CARTRIDGE ELEMENTS FACTORY INSTALLED
STANDARD 7,800 SQ.FT. OF 80/20 CELLULOSE/SYNTHETIC BLEND FILTER MEDIA
OPTIONAL 5,880 SQ.FT. OF POLY-EL SPUN BOND POLYESTER FILTER MEDIA
6. APPROX. AIR CONSUMPTION OF 6.0 SCF PER VALVE PER PULSE OF CLEAN, DRY, OIL FREE COMPRESSED AIR AT 80-90 PSIG
7. NEMA 4 ELECTRICAL ENCLOSURES (TIMER ENCLOSURE SHIPS LOOSE FOR REMOTE MOUNTING)
8. 120/1/60 VAC REQUIRED
9. ESTIMATED INSTALLED WEIGHT = 7,700 LBS
10. SOME FIELD ASSEMBLY REQUIRED




- NEMA 4 SOLENOID ENCLOSURE
- LIFTING LUGS(4)
- 1-1/2" DIAPHRAGM VALVES
- 1" NPT COMPRESSED AIR CONNECTION (EITHER END)
- 1/4" DRAIN PLUG
- DIFFERENTIAL PRESSURE CONNECTIONS
- HINGED ACCESS DOOR(S)
- ON-DEMAND PULSE TIMER
- 18" ACCESS DOOR
- SUPPORT LEGS & CROSS BRACING (OPTIONAL)



OPTIONAL FEATURES

1. STRUCTURAL SUPPORTS
2. SERVICE PLATFORMS
3. EXPLOSION VENTING
4. EXPLOSION-PROOF ELECTRICALS
5. HIGHER PRESSURE/VACUUM RATINGS
6. FILTER MEDIAS/PRE-FILTER OVERBAGS

REV 1	REISSUED	DB
		
CAMCORP INC. <small>PHONE: 913-831-0740 • FAX: 913-831-9271</small>		
TITLE: VERTICAL CARTRIDGE DUST COLLECTOR MODEL CA24-4D-MH		
DATE: 9/01/09	DRN BY: DB	DWG. NO.: CAT-CA24-4D-MH
P.S.:	REV.:	1