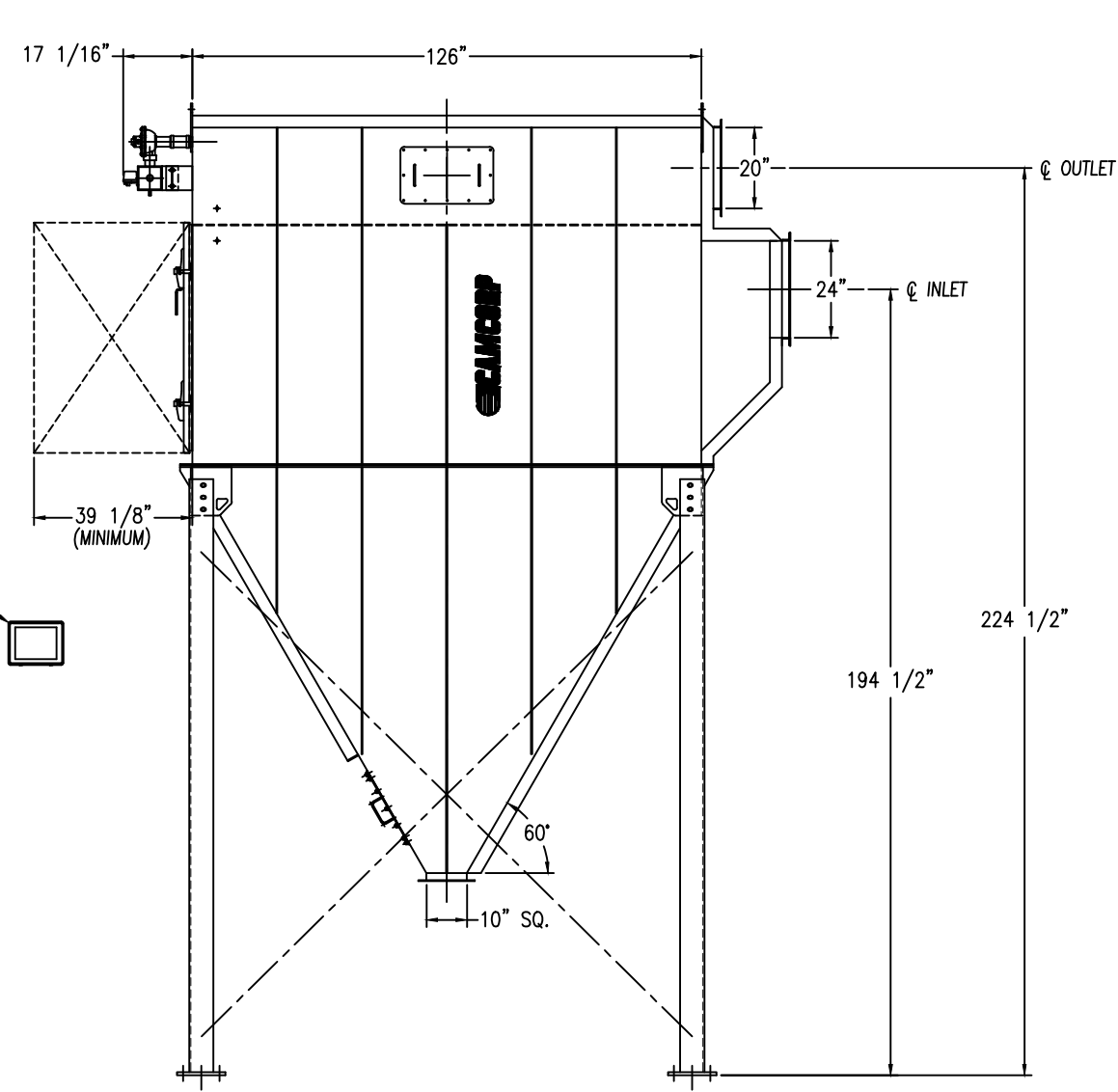
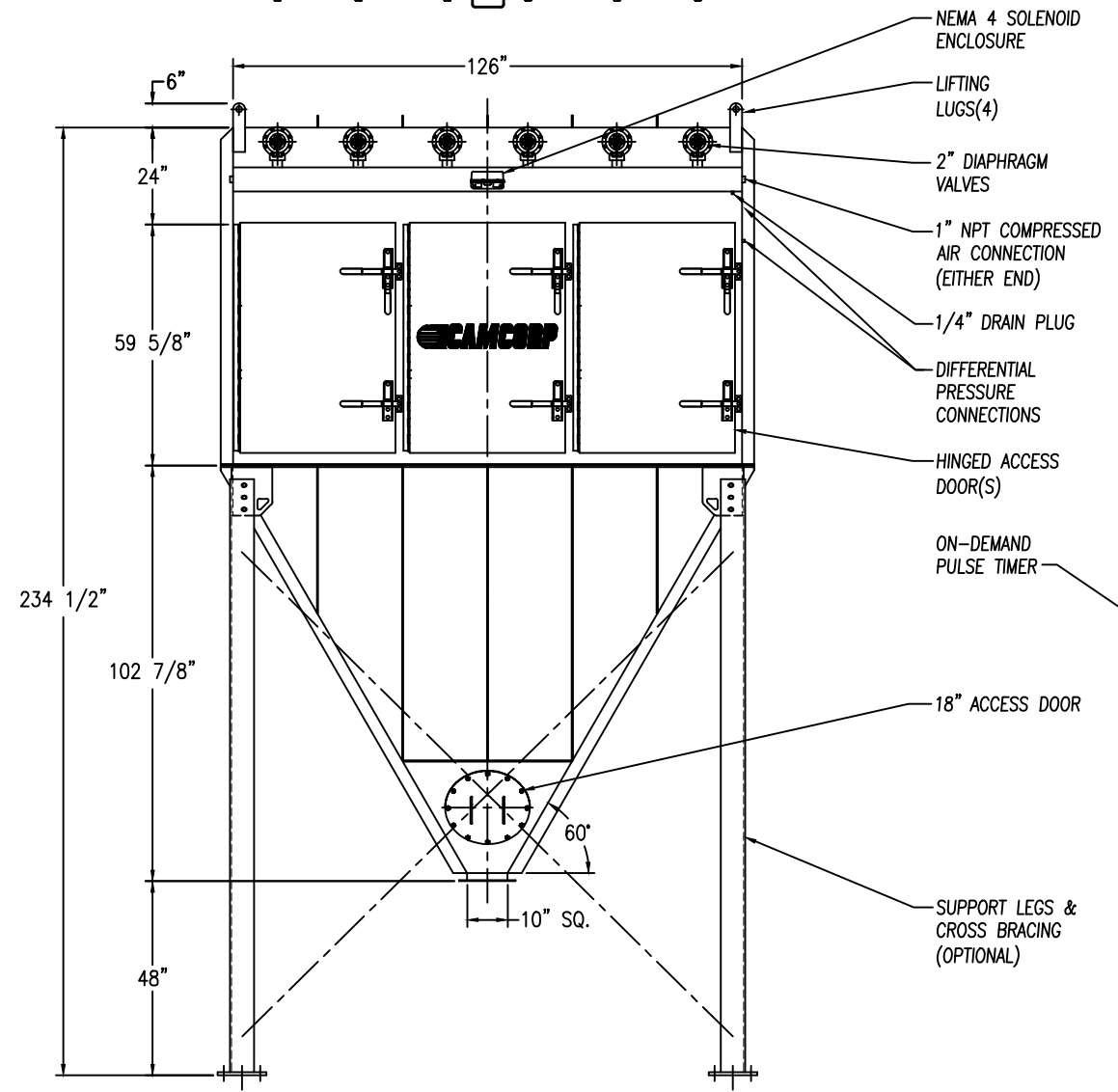



- STANDARD FEATURES**
1. ALL WELDED HEAVY-DUTY CARBON STEEL CONSTRUCTION
 2. HOUSING RATED FOR: +/-25" W.C.
 3. INTERIOR DIRTY AIR PLENUM PRIMED ONLY
 4. EXTERIOR PRIMED & FINISHED PAINTED WHITE INDUSTRIAL ENAMEL
 5. (36) CARTRIDGE ELEMENTS FACTORY INSTALLED
 - STANDARD 11,700 SQ.FT. OF 80/20 CELLULOSE/SYNTHETIC BLEND FILTER MEDIA
 - OPTIONAL 8,820 SQ.FT. OF POLY-EL SPUN BOND POLYESTER FILTER MEDIA
 6. APPROX. AIR CONSUMPTION OF 12.0 SCF PER VALVE PER PULSE OF CLEAN, DRY, OIL FREE COMPRESSED AIR AT 80-90 PSIG
 7. NEMA 4 ELECTRICAL ENCLOSURES (TIMER ENCLOSURE SHIPS LOOSE FOR REMOTE MOUNTING)
 8. 120/1/60 VAC REQUIRED
 9. ESTIMATED INSTALLED WEIGHT = 8,725 LBS
 10. SOME FIELD ASSEMBLY REQUIRED



- OPTIONAL FEATURES**
1. STRUCTURAL SUPPORTS
 2. SERVICE PLATFORMS
 3. EXPLOSION VENTING
 4. EXPLOSION-PROOF ELECTRICALS
 5. HIGHER PRESSURE/VACUUM RATINGS
 6. FILTER MEDIAS/PRE-FILTER OVERBAGS

| | | |
|--|---------------|-----------------------------|
| REV 1 | REISSUED | DB |
|  CAMCORP INC. <small>PHONE: 913-831-0740 • FAX: 913-831-9271</small> | | |
| TITLE: VERTICAL CARTRIDGE DUST COLLECTOR MODEL CA36-3D-SH | | |
| DATE: 9/01/09 | DRN BY: DB | DWG. NO.: CAT-CA36-3D-SH |
| P.S.: | REV.: | 1 |