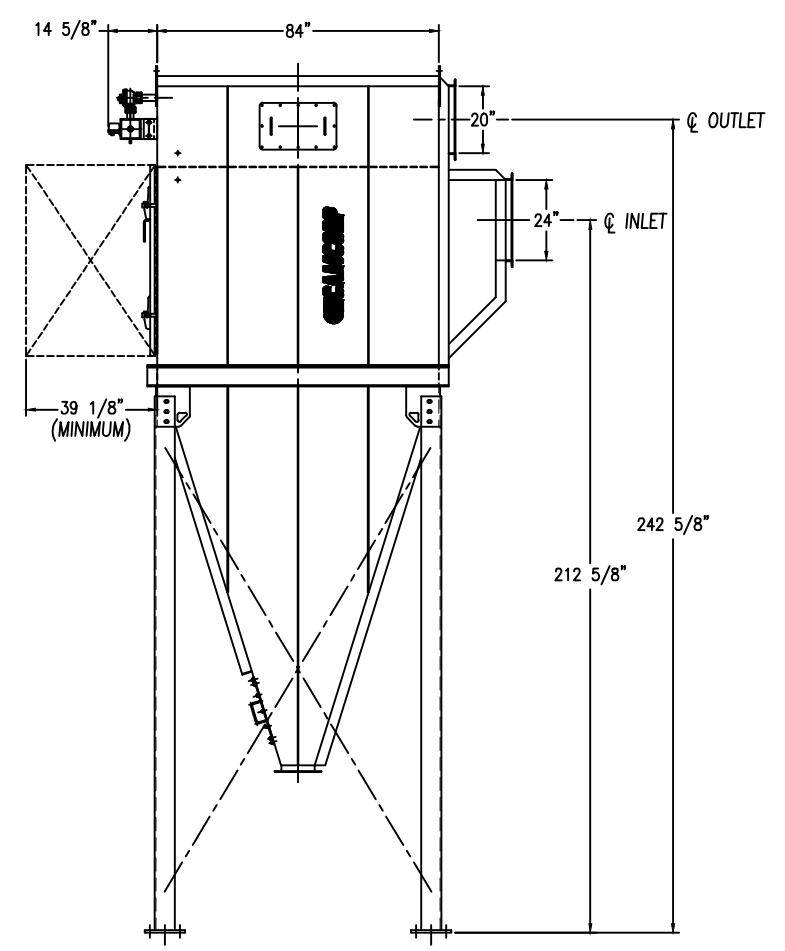
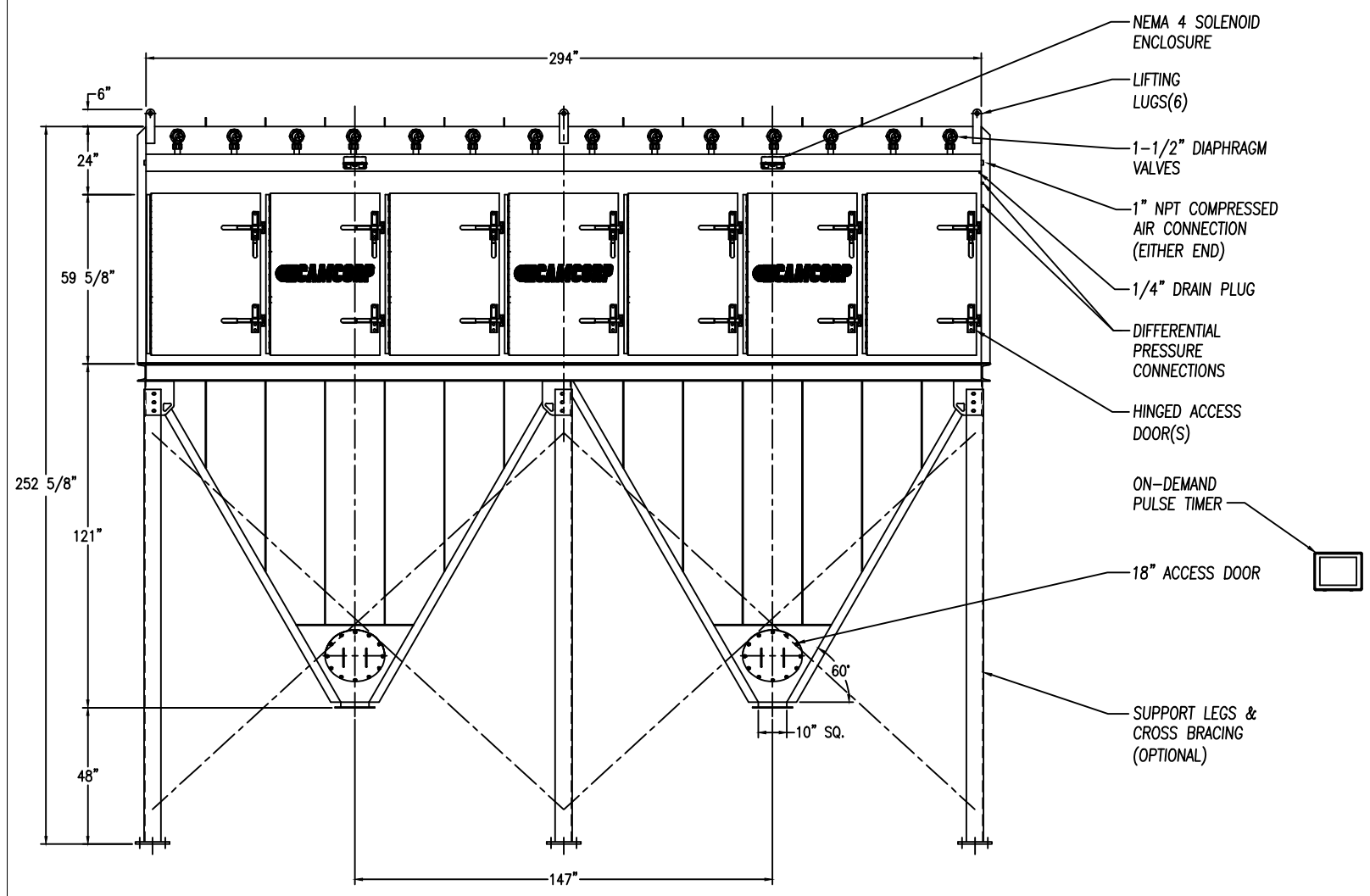



ANCHOR PLAN

- STANDARD FEATURES**
1. ALL WELDED HEAVY-DUTY CARBON STEEL CONSTRUCTION
 2. HOUSING RATED FOR: +/-25" W.C.
 3. INTERIOR DIRTY AIR PLENUM PRIMED ONLY
 4. EXTERIOR PRIMED & FINISHED PAINTED WHITE INDUSTRIAL ENAMEL
 5. (56) CARTRIDGE ELEMENTS FACTORY INSTALLED
STANDARD 18,200 SQ.FT. OF 80/20 CELLULOSE/SYNTHETIC BLEND FILTER MEDIA
OPTIONAL 13,720 SQ.FT. OF POLY-EL SPUN BOND POLYESTER FILTER MEDIA
 6. APPROX. AIR CONSUMPTION OF 6.0 SCF PER VALVE PER PULSE OF CLEAN, DRY, OIL FREE COMPRESSED AIR AT 80-90 PSIG
 7. NEMA 4 ELECTRICAL ENCLOSURES (TIMER ENCLOSURE SHIPS LOOSE FOR REMOTE MOUNTING)
 8. 120/1/60 VAC REQUIRED
 9. ESTIMATED INSTALLED WEIGHT = 16,440 LBS
 10. SOME FIELD ASSEMBLY REQUIRED



- OPTIONAL FEATURES**
1. STRUCTURAL SUPPORTS
 2. SERVICE PLATFORMS
 3. EXPLOSION VENTING
 4. EXPLOSION-PROOF ELECTRICALS
 5. HIGHER PRESSURE/VACUUM RATINGS
 6. FILTER MEDIA/PRE-FILTER OVERBAGS

REV 1	REISSUED	DB
 CAMCORP INC. PHONE: 913-831-0740 • FAX: 913-831-9271		
TITLE: VERTICAL CARTRIDGE DUST COLLECTOR MODEL CA56-7D-MH		
DATE: 9/01/09	DRN BY: DB	DWG. NO.: CAT-CA56-7D-MH
P.S.:	REV.:	1