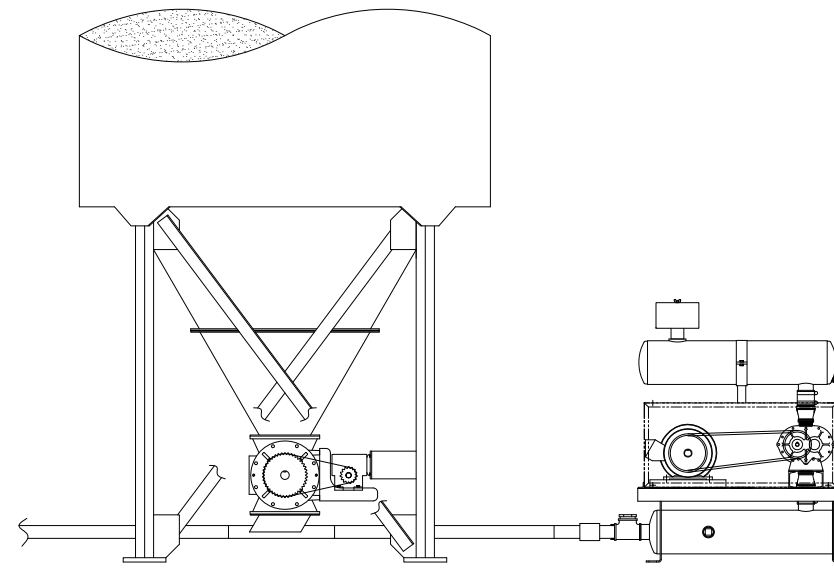
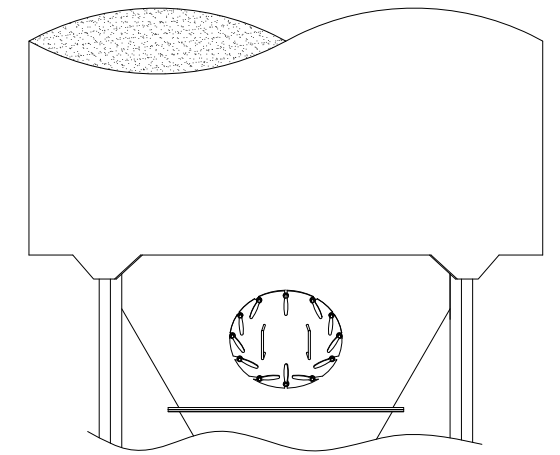


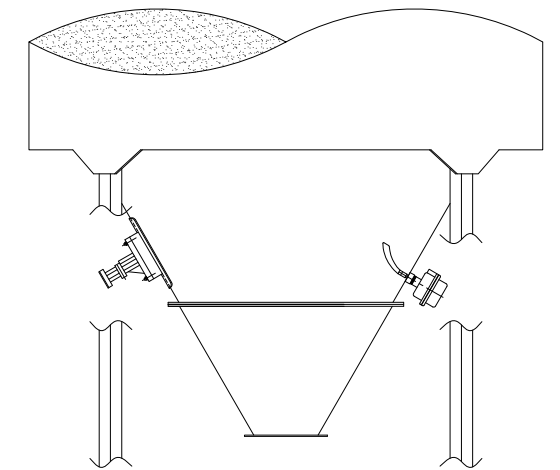
ROTARY AIRLOCK DISCHARGE TO  
STORAGE CONTAINER



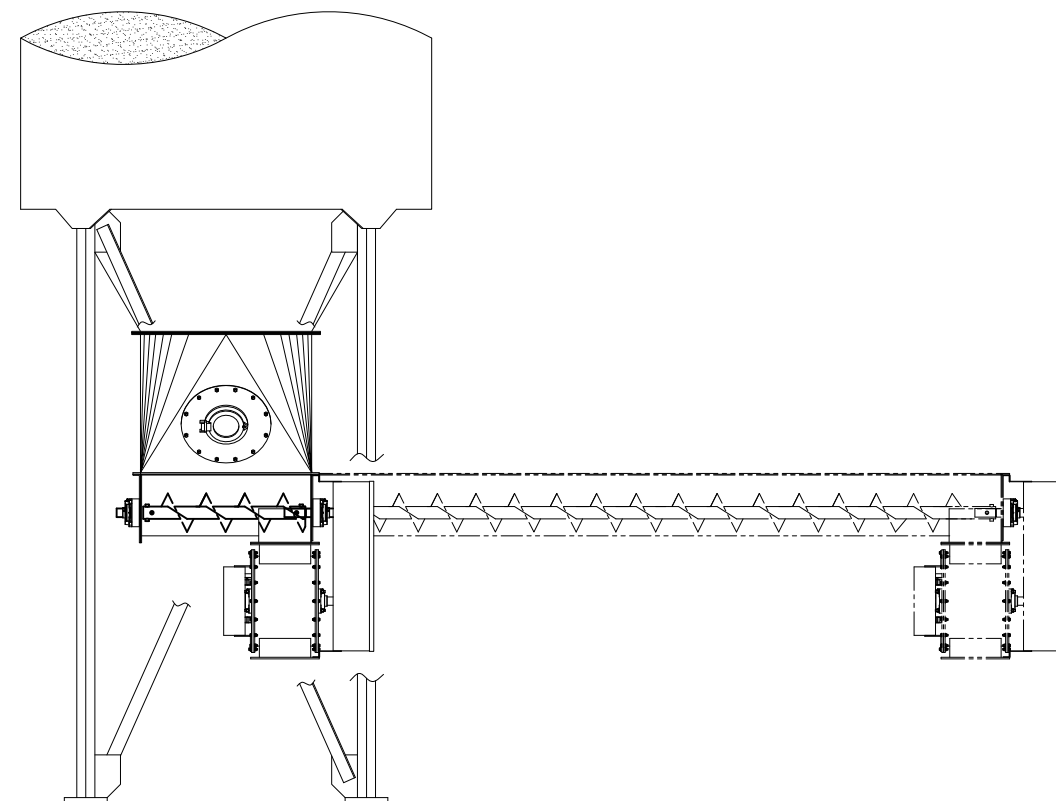
ROTARY AIRLOCK DISCHARGE WITH  
PNEUMATIC TRANSFER




ACCESS COVER



LEVEL INDICATION AND  
DISCHARGE VIBRATION



SCREW CONVEYOR WITH  
ROTARY AIRLOCK

REV	DRAWING STATUS	BY	DATE
			
9732 PFLUMM, LENEXA, KS 66215 PHONE: 913-831-0740 FAX: 913-831-9271			
This drawing and the solutions/designs are the property of CAMCORP, Inc. and are furnished only for informational purposes on a confidential basis. Reproduction, publishing, or other disclosures are on a "NEED TO KNOW" basis only. Any other reproduction requires written authorization by a corporate officer.			
TITLE: HVP & SWF HOPPER ACCESSORIES			
DATE: 11/08/06	DRAWN: CK	DRAWING NUMBER: HVP/SWF HOPPER ACCESS.	REVISION: