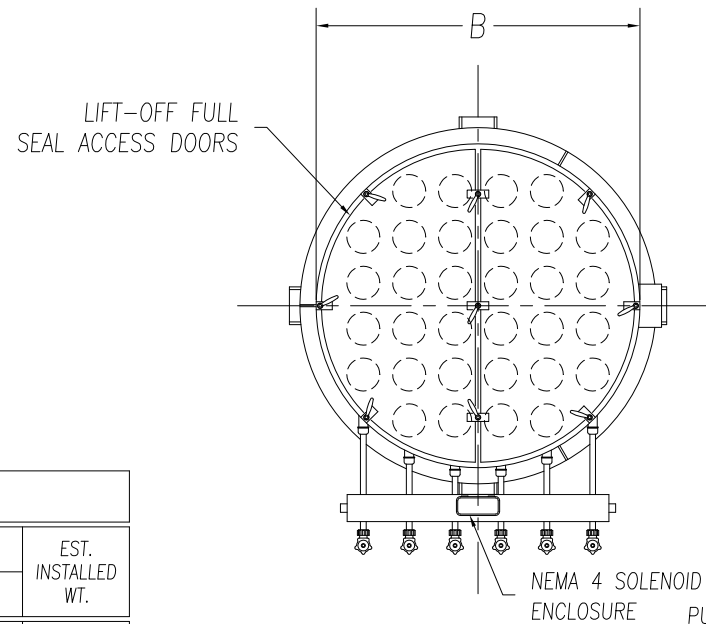


CAMCORP MODELS 2PRT4 TO 10PRT180									
MODEL NUMBER	FILTER MEDIA (SQ. FT.)	QUAN. OF BAGS	BAG LENGTH (IN FT.)	NO. OF VALVES	DIMENSIONS (INCHES)				EST. INSTALLED WT.
					A	B	C	D	
2PRT4	13	4	2	2	57 1/8	22	13	44 1/8	313
4PRT4	26		4		81 1/8			68 1/8	411
6PRT4	38		6		105 1/8			92 1/8	509
2PRT7	22	7	2	3	63	28	18	45	444
4PRT7	45		4		87			69	571
6PRT7	67		6		111			93	697
4PRT10	64	10	4	3	95	36	25	70	801
6PRT10	96		6		119			94	964
8PRT10	128		8		143			118	1127
4PRT14	90	14	4	4	98 1/2	40	28	70 1/2	976
6PRT14	134		6		122 1/2			94 1/2	1161
8PRT14	179		8		146 1/2			118 1/2	1346
6PRT19	182	19	6	5	128 3/8	46	33	95 3/8	1601
8PRT19	243		8		152 3/8			119 3/8	1867
6PRT24	230	24	6	5	135 1/4	53	39	96 1/4	1988
8PRT24	307		8		159 1/4			120 1/4	2297
6PRT30	288	30	6	6	138 3/4	56	42	96 3/4	2216
8PRT30	384		8		162 3/4			120 3/4	2549

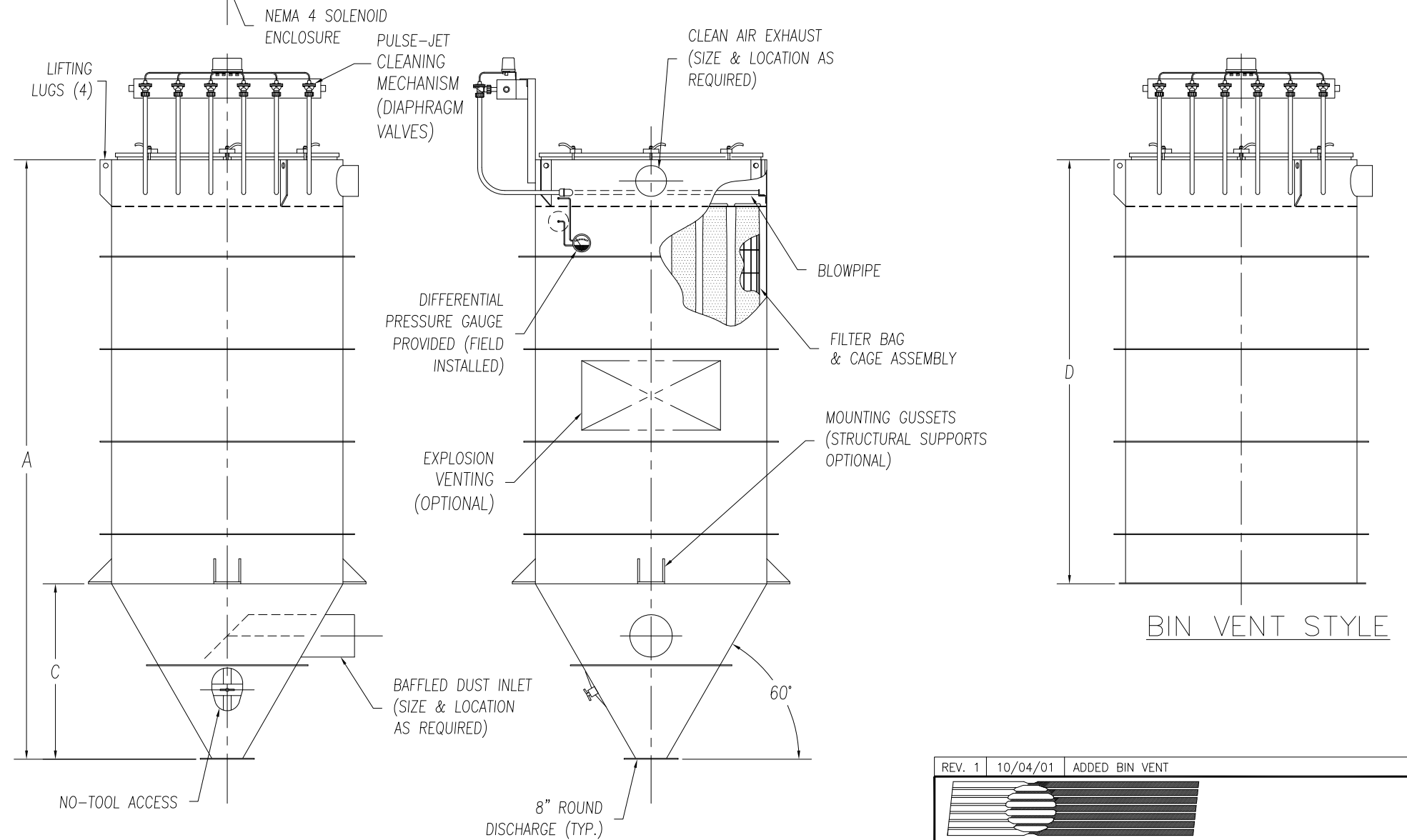
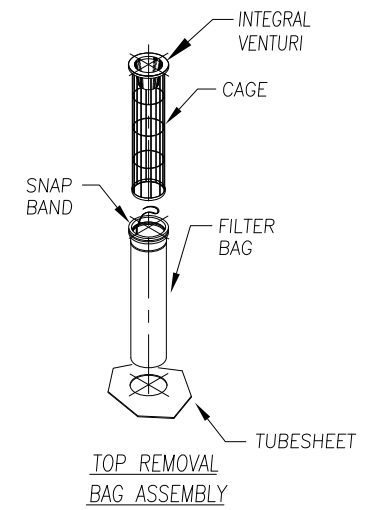


### STANDARD FEATURES


1. ALL WELDED HEAVY-DUTY CONSTRUCTION
2. VACUUM RATING: 17" HG
3. STANDARD MATERIALS OF CONSTRUCTION: CARBON STEEL, STAINLESS STEEL, ALUMINUM
4. STANDARD ELECTRICALS: NEMA 4 TIMER AND SOLENOID ENCLOSURES
5. PAINT: STANDARD IS WHITE OR ENVIROGREEN INDUSTRIAL ENAMEL

### OPTIONAL FEATURES

1. STRUCTURAL SUPPORTS
2. SERVICE PLATFORMS
3. EXPLOSION VENTING
4. EXPLOSION-PROOF ELECTRICALS
5. HIGHER PRESSURE/VACUUM RATING
6. BIN VENT STYLE
7. WIDE BAG SPACING
8. WALK-IN CLEAN AIR PLENUM



## TOP REMOVAL BAG PNEUMATIC RECEIVER ( 4 TO 30 BAGS )

REV. 1	10/04/01	ADDED BIN VENT
 <b>CAMCORP</b> <small>9732 PFLUMM, LENEXA, KS 66215      PHONE: 913-831-0740 • FAX: 913-831-9271</small>		
TITLE: TOP REMOVAL BAG PNEUMATIC RECEIVER MODEL 2PRT4 TO 8PRT30 (4 TO 30 BAG)		
DATE: 8-10-99	DRN BY: DES	DWG. NO.: CAT-PRT1
P.S.: 36-00	REV.: #1	