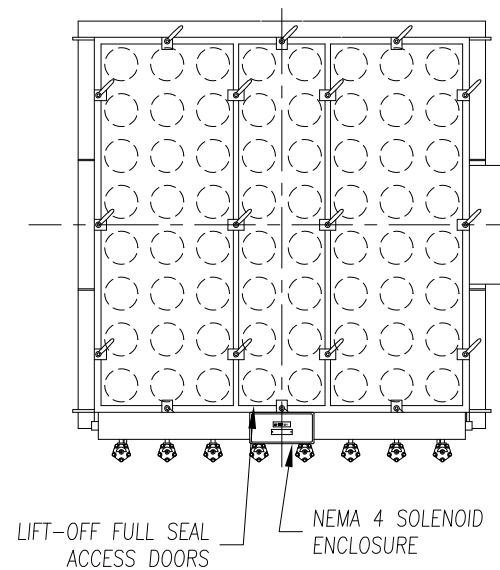


CAMCORP MODELS 8TR8X64 TO 16TR12X256

MODEL NUMBER	FILTER MEDIA (SQ. FT.)	QUAN. OF BAGS	BAG LENGTH (IN FT.)	DIMENSIONS (INCHES)					EST. INSTALLED WT.
				A	B	C	D	E	
14TR8X196	2509	196	8	219 1/2	122 1/2	122 1/2	99 1/2	120	8077
14TR10X196	3136		10	243 1/2				144	8876
14TR12X196	3763		12	267 1/2				168	10405
14TR8X210	2688	210	8	227	122 1/2	131	107	120	8533
14TR10X210	3360		10	251				144	9387
14TR12X210	4032		12	275				168	10997
15TR8X225	2880	225	8	227	131	131	107	120	8989
15TR10X225	3600		10	251				144	9860
15TR12X225	4320		12	275				168	11532
15TR8X240	3072	240	8	234	131	139 1/2	114	120	9423
15TR10X240	3840		10	258				144	10331
15TR12X240	4608		12	282				168	12050
16TR8X256	3277	256	8	234	139 1/2	139 1/2	114	120	9852
16TR10X256	4096		10	258				144	10799
16TR12X256	4916		12	282				168	12566

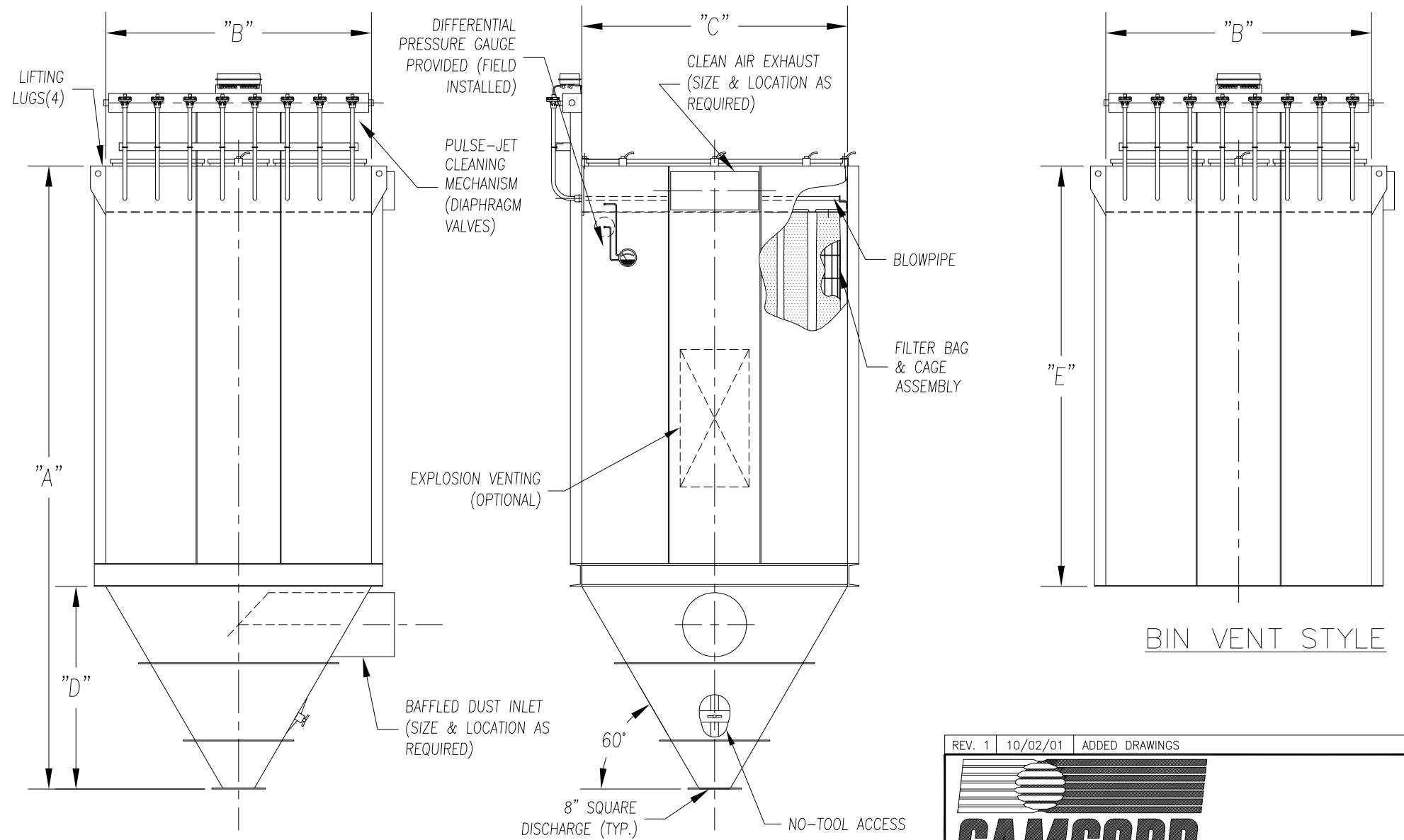
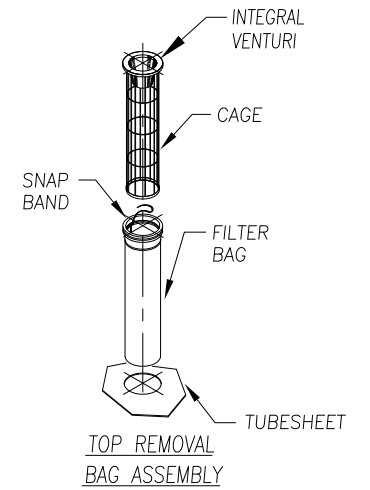


STANDARD FEATURES

1. ALL WELDED HEAVY-DUTY CONSTRUCTION
2. PRESSURE/VACUUM RATING: +/-20"W.C.
3. STANDARD MATERIALS OF CONSTRUCTION: CARBON STEEL, STAINLESS STEEL, ALUMINUM
4. STANDARD ELECTRICALS: NEMA 4 TIMER AND SOLENOID ENCLOSURES
5. PAINT IS STANDARD WHITE OR ENVIROGREEN INDUSTRIAL ENAMEL.

OPTIONAL FEATURES

1. STRUCTURAL SUPPORTS
2. SERVICE PLATFORMS
3. EXPLOSION VENTING
4. EXPLOSION-PROOF ELECTRICALS
5. HIGHER PRESSURE/VACUUM RATING
6. BIN VENT STYLE
7. WIDE BAG SPACING
8. WALK-IN CLEAN AIR PLENUM



TOP REMOVAL BAG DUST COLLECTOR (196 TO 256 BAGS)

REV. 1	10/02/01	ADDED DRAWINGS
9732 PFLUMM, LENEXA, KS 66215 PHONE: 913-831-0740 • FAX: 913-831-9271		
TITLE: TOP REMOVAL BAG DUST COLLECTORS MODEL 14TR8X196 TO 16TR12X256 (196 TO 256 BAG)		
DATE: 8-10-99	DRN BY: DES	DWG. NO.: CAT-TBA2-2
P.S.: 36-00	REV. # #1	