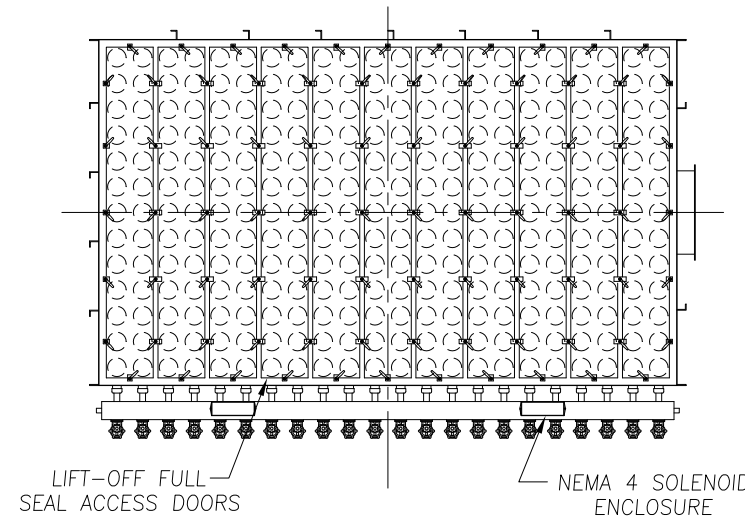


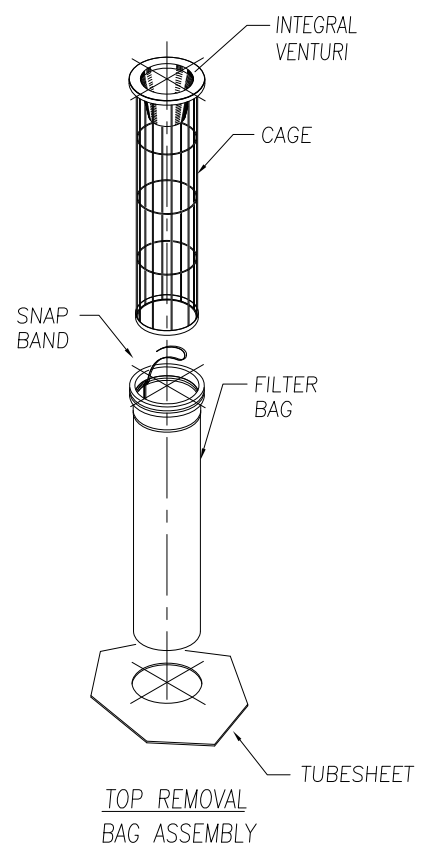
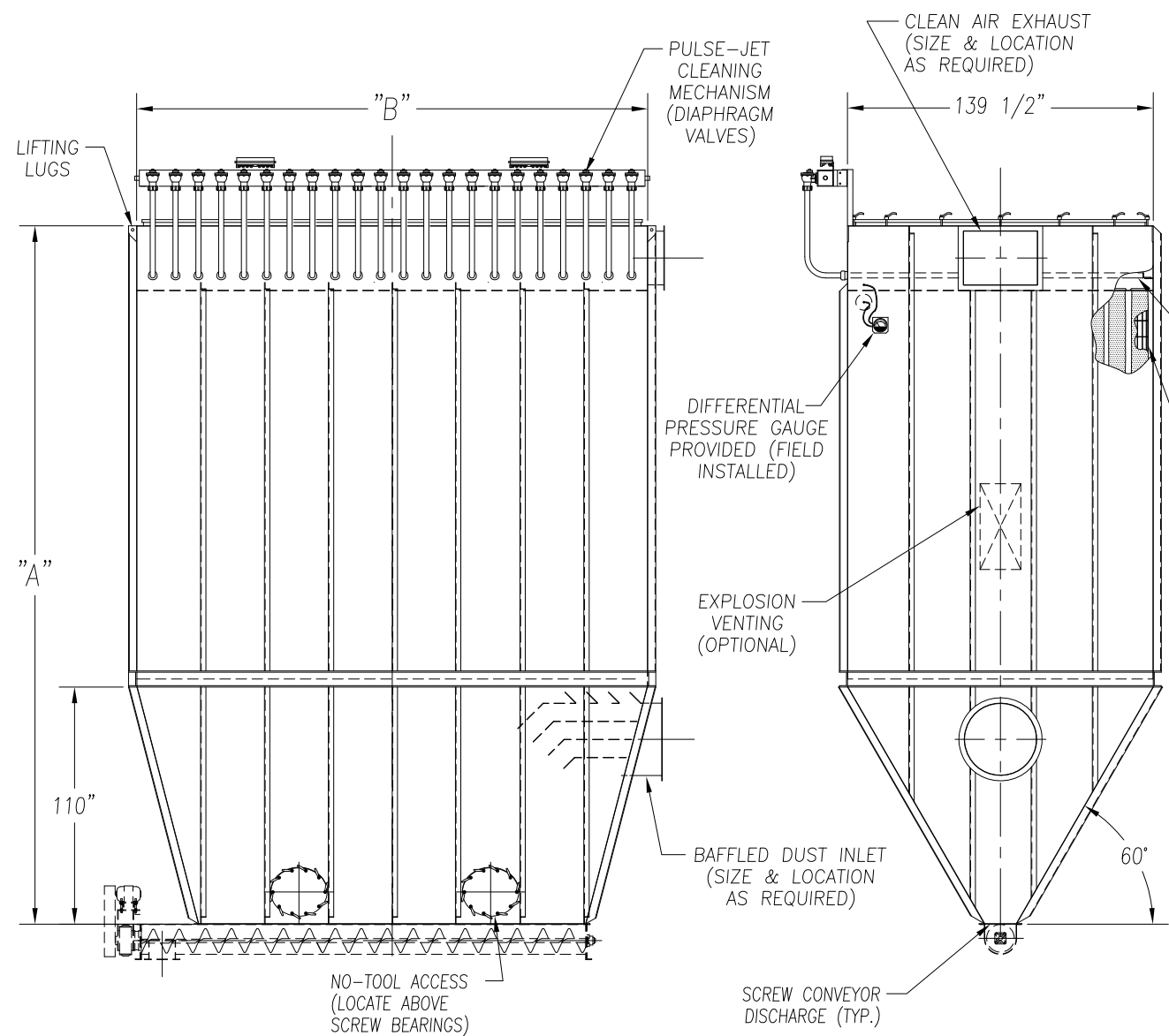
CAMCORP MODELS 32TR8X512 TO 46TR12X736

MODEL NUMBER	FILTER MEDIA (SQ. FT.)	QUAN. OF BAGS	BAG LENGTH (IN FT.)	DIMENSIONS (INCHES)		EST. INSTALLED WT.
				A	B	
32TR8X512	6554	512	8	230	275 1/2	18290
32TR10X512	8192		10	254		21205
32TR12X512	9830		12	278		23062
33TR8X528	6758	528	8	230	284	18787
33TR10X528	8448		10	254		21758
33TR12X528	10138		12	278		23669
34TR8X544	6963	544	8	230	292 1/2	19309
34TR10X544	8704		10	254		22387
34TR12X544	10445		12	278		24351
35TR8X560	7168	560	8	230	301	19775
35TR10X560	8960		10	254		22908
35TR12X560	10752		12	278		24911
36TR8X576	7373	576	8	230	309 1/2	20272
36TR10X576	9216		10	254		23462
36TR12X576	11059		12	278		25517
37TR8X592	7578	592	8	230	318	20794
37TR10X592	9472		10	254		24090
37TR12X592	11366		12	278		26200
38TR8X608	7782	608	8	230	326 1/2	21260
38TR10X608	9728		10	254		24612
38TR12X608	11674		12	278		26760
39TR8X624	7987	624	8	230	335	21757
39TR10X624	9984		10	254		25165
39TR12X624	11981		12	278		27366
40TR8X640	8192	640	8	230	343 1/2	22228
40TR10X640	10240		10	254		25793
40TR12X640	12288		12	278		28049
41TR8X656	8397	656	8	230	351	22745
41TR10X656	10496		10	254		26315
41TR12X656	12595		12	278		28608
42TR8X672	8602	672	8	230	360 1/2	23297
42TR10X672	10752		10	254		26974
42TR12X672	12902		12	278		29338
43TR8X688	8806	688	8	230	369	23763
43TR10X688	11008		10	254		27496
43TR12X688	13210		12	278		29898
44TR8X704	9011	704	8	230	377 1/2	24229
44TR10X704	11264		10	254		28018
44TR12X704	13517		12	278		30457
45TR8X720	9216	720	8	230	386	24782
45TR10X720	11520		10	254		28677
45TR12X720	13824		12	278		31187
46TR8X736	9421	736	8	230	394 1/2	25248
46TR10X736	11776		10	254		29199
46TR12X736	14131		12	278		31746

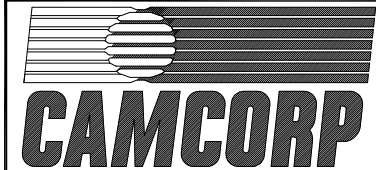


- STANDARD FEATURES**
1. ALL WELDED HEAVY-DUTY CONSTRUCTION
  2. PRESSURE/VACUUM RATING: +/-20"W.C.
  3. STANDARD MATERIALS OF CONSTRUCTION: CARBON STEEL, STAINLESS STEEL, ALUMINUM
  4. STANDARD ELECTRICALS: NEMA 4 TIMER AND SOLENOID ENCLOSURES
  5. PAINT IS STANDARD WHITE OR ENVIROGREEN INDUSTRIAL ENAMEL.

- OPTIONAL FEATURES**
1. STRUCTURAL SUPPORTS
  2. SERVICE PLATFORMS
  3. EXPLOSION VENTING
  4. EXPLOSION-PROOF ELECTRICALS
  5. HIGHER PRESSURE/VACUUM RATING
  6. BIN VENT STYLE
  7. WIDE BAG SPACING
  8. WALK-IN CLEAN AIR PLENUM



TOP REMOVAL BAG DUST COLLECTOR ( 512 TO 736 BAGS)

REV. 1	010/03/01	ADDED DWG'S., CHG'D. TITLE
		
9732 PFLUMM, LENEXA, KS 66215      PHONE: 913-831-0740 • FAX: 913-831-9271		
TITLE: TOP REMOVAL BAG DUST COLLECTORS MODEL 32TR8X512 TO 46TR12X736 (512 TO 736 BAGS)		
DATE: 08/17/99	DRN BY: DES	DWG. NO.: CAT-TBA3-2
P.S.: 64-00	REV.: #1	