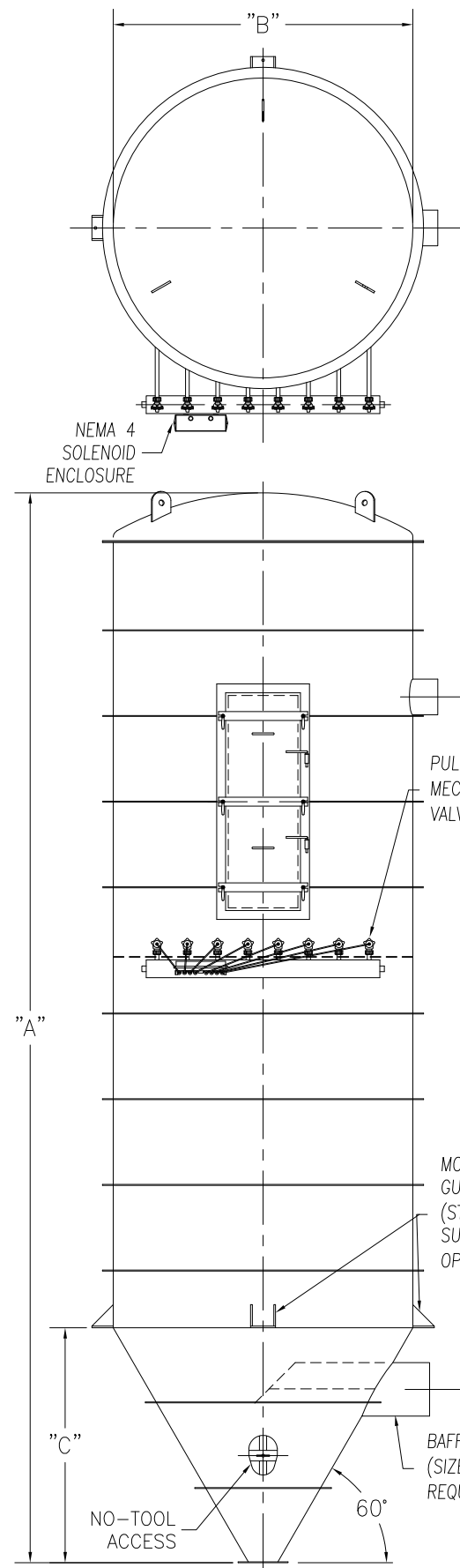
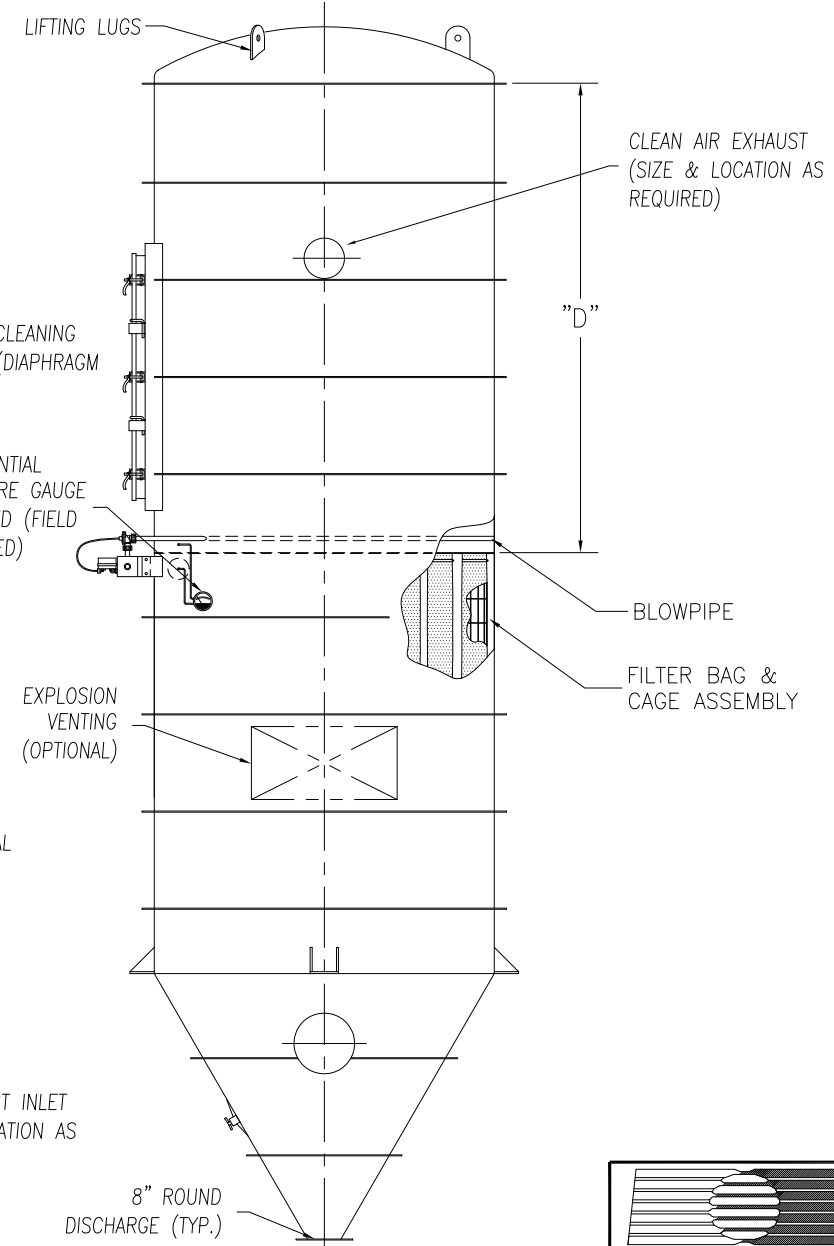
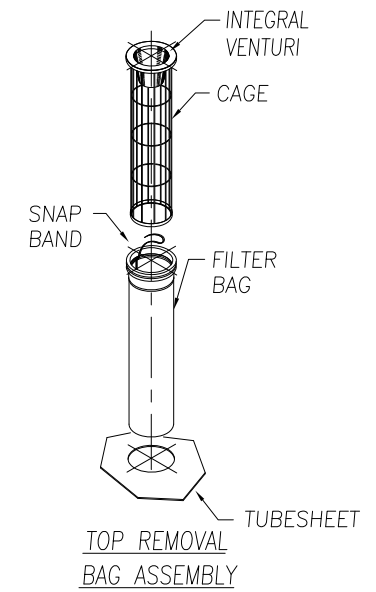


CAMCORP MODELS 6PW137 TO 10PW1180									
MODEL NUMBER	FILTER MEDIA (SQ. FT.)	QUAN. OF BAGS	BAG LENGTH (IN FT.)	NO. OF VALVES	DIMENSIONS (INCHES)				EST. INSTALLED WT.
					A	B	C	D	
6PW137	355	37	6	7	216 1/2	62	47	72	2975
8PW137	474		8		96			3534	
6PW144	422	44	6	8	222 1/4	68	52	72	3383
8PW144	563		8		96			4001	
6PW152	499	52	6	8	228	72	57	72	4382
8PW152	667		8		96			5164	
6PW161	586	61	6	9	234	79	62	72	4974
8PW161	781		8		96			5830	
6PW170	682	70	6	9	241 3/4	87	69	72	5981
8PW170	909		8		96			6971	
6PW180	768	80	6	10	245 1/4	90	72	72	6535
8PW180	1024		8		96			7559	
6PW191	874	91	6	11	261	96	77	72	7440
8PW191	1165		8		96			8542	
10PW191	1456	10	120	9648					
8PW1102	1306	102	8	11	317	104	84	96	9537
10PW1102	1632		10		120			10741	
8PW1114	1459	114	8	12	320 5/8	108	87	96	10063
10PW1114	1824		10		120			11266	
8PW1127	1626	127	8	13	325 3/8	113	91	96	10835
10PW1127	2032		10		120			12169	
8PW1140	1792	140	8	13	333 3/8	121	98	96	11965
10PW1140	2240		10		120			13397	
8PW1154	1971	154	8	14	336 3/4	124	101	96	12759
10PW1154	2464		10		120			14244	
8PW1169	2163	169	8	15	342 1/2	130	106	96	13702
10PW1169	2704		10		120			15270	
8PW1180	2304	180	8	16	344 7/8	132	108	96	14127
10PW1180	2880		10		120			15732	



- STANDARD FEATURES**
1. ALL WELDED HEAVY-DUTY CONSTRUCTION
 2. PRESSURE/VACUUM RATING: +/-20"W.C.
 3. STANDARD MATERIALS OF CONSTRUCTION: CARBON STEEL, STAINLESS STEEL, ALUMINUM
 4. STANDARD ELECTRICALS: NEMA 4 TIMER AND SOLENOID ENCLOSURES
 5. PAINT: STANDARD IS WHITE OR ENVIROGREEN INDUSTRIAL ENAMEL

- OPTIONAL FEATURES**
1. STRUCTURAL SUPPORTS
 2. SERVICE PLATFORMS
 3. EXPLOSION VENTING
 4. EXPLOSION-PROOF ELECTRICALS
 5. HIGHER PRESSURE/VACUUM RATING
 6. WIDE BAG SPACING



WALK-IN BAG REMOVAL PNEUMATIC RECEIVER (37 TO 180 BAGS)

CAMCORP
 9732 PFLUMM, LENEXA, KS. 66215 PHONE: 913-831-0740 FAX: 913-831-9271

TITLE: WALK-IN BAG REMOVAL PNEUMATIC RECEIVER MODELS 6PW137 TO 10PW1180 (37-180 CARTRIDGES)

DATE: 11/01/01	DRN BY: DOTY	DWG. NO.: CAT-PWI-1	P.S.: 48-00	REV.:
----------------	--------------	---------------------	-------------	-------