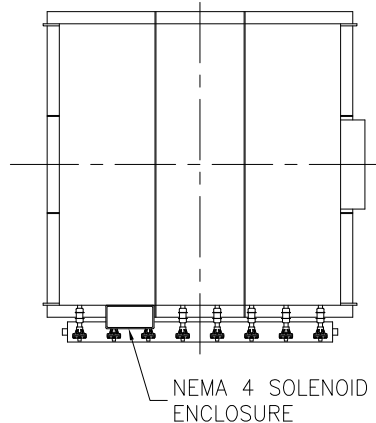


CAMCORP MODELS 8TRW8X64 TO 16TRW12X256

MODEL NUMBER	FILTER MEDIA (SQ. FT.)	QUAN. OF BAGS	BAG LENGTH (IN FT.)	DIMENSIONS (INCHES)					EST. INSTALLED WT.
				A	B	C	D	E	
14TRW8X196	2509	196	8	295 1/2	122 1/2	122 1/2	99 1/2	100	10557
14TRW10X196	3136		10	343 1/2				124	11796
14TRW12X196	3763		12	391 1/2				148	13774
14TRW8X210	2688	210	8	303	122 1/2	131	107	100	11130
14TRW10X210	3360		10	351				124	12417
14TRW12X210	4032		12	399				148	14489
15TRW8X225	2880	225	8	303	131	131	107	100	11665
15TRW10X225	3600		10	351				124	13000
15TRW12X225	4320		12	399				148	15164
15TRW8X240	3072	240	8	310	131	139 1/2	114	100	12270
15TRW10X240	3840		10	358				124	13616
15TRW12X240	4608		12	406				148	15880
16TRW8X256	3277	256	8	310	139 1/2	139 1/2	114	100	12837
16TRW10X256	4096		10	358				124	14293
16TRW12X256	4916		12	406				148	16580

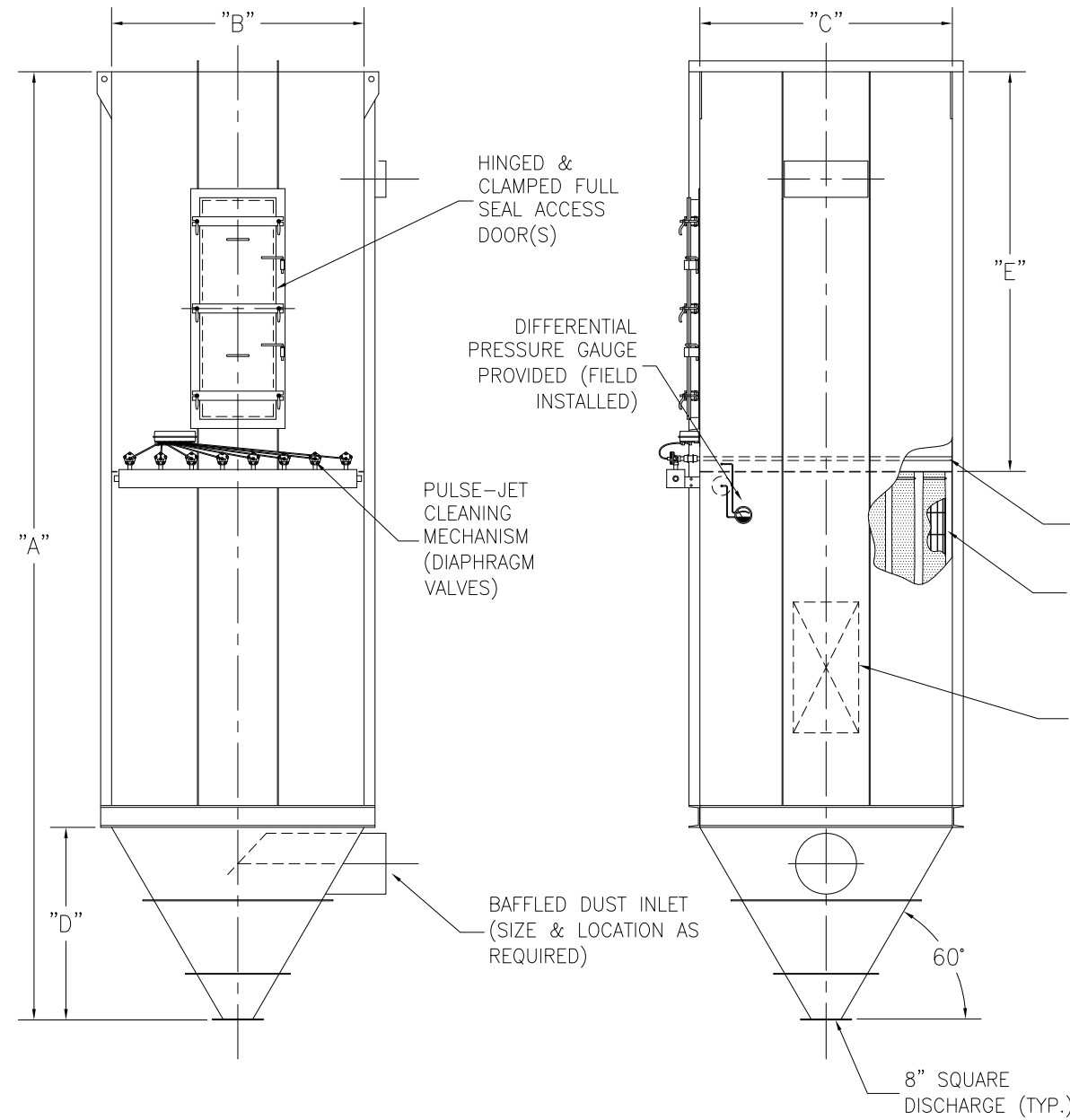
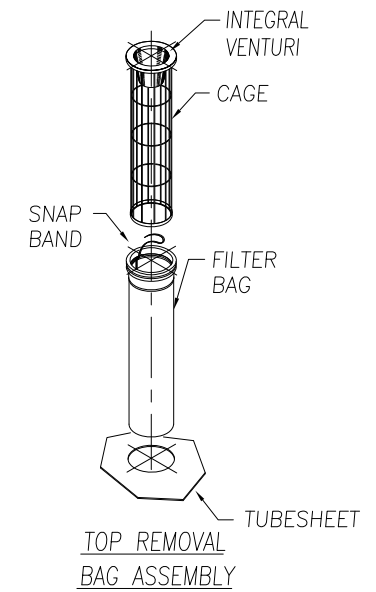


STANDARD FEATURES

1. ALL WELDED HEAVY-DUTY CONSTRUCTION
2. PRESSURE/VACUUM RATING: +/-20"W.C.
3. STANDARD MATERIALS OF CONSTRUCTION: CARBON STEEL, STAINLESS STEEL, ALUMINUM
4. STANDARD ELECTRICALS: NEMA 4 TIMER AND SOLENOID ENCLOSURES
5. PAINT: STANDARD IS WHITE OR ENVIROGREEN INDUSTRIAL ENAMEL

OPTIONAL FEATURES

1. STRUCTURAL SUPPORTS
2. SERVICE PLATFORMS
3. EXPLOSION VENTING
4. EXPLOSION-PROOF ELECTRICALS
5. HIGHER PRESSURE/VACUUM RATING
6. WIDE BAG SPACING



WALK-IN BAG REMOVAL DUST COLLECTOR ( 196 TO 256 BAGS )

9732 PFLUMM, LENEXA, KS. 66215      PHONE: 913-831-0740      FAX: 913-831-9271

TITLE: WALK-IN TOP REMOVAL BAG DUST COLLECTORS  
MODEL 14TRW8X196 TO 12TRW12X256 (196 TO 256 BAGS)

DATE: 10/29/01	DRN BY: DOTY	DWG. NO.: CAT-WIT2	P.S.: 48-00	REV.:
-------------------	-----------------	-----------------------	----------------	-------