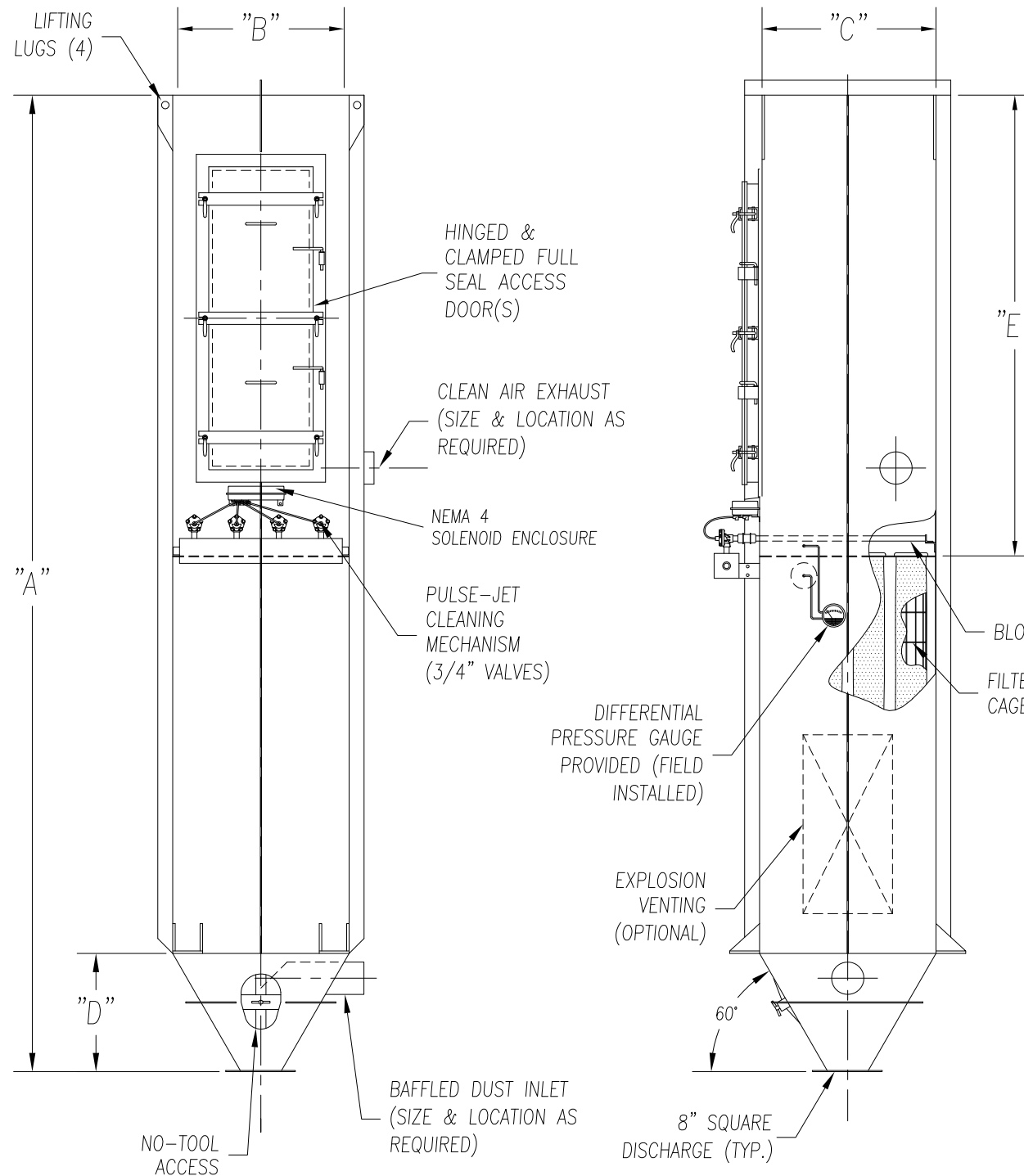
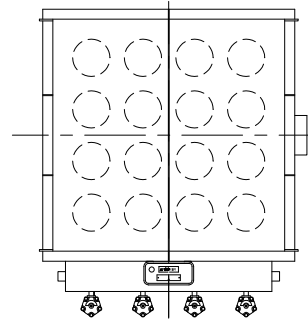


CAMCORP MODELS 3TRW6X9 TO 7TRW10X63

MODEL NUMBER	FILTER MEDIA (SQ. FT.)	QUAN. OF BAGS	BAG LENGTH (IN FT.)	DIMENSIONS (INCHES)					EST. INSTALLED WT.
				A	B	C	D	E	
3TRW6X9	86	9	6	166 1/2	29	29	18 1/2	76	931
3TRW8X9	115		8	214 1/2				100	1163
3TRW10X9	144		10	262 1/2				124	1396
3TRW6X12	115	12	6	174	29	37 1/2	26	76	1096
3TRW8X12	154		8	222				100	1358
3TRW10X12	192		10	270				124	1621
3TRW6X15	144	15	6	181	29	46	33	76	1246
3TRW8X15	192		8	229				100	1538
3TRW10X15	240		10	277				124	1830
4TRW6X16	154	16	6	174	37 1/2	37 1/2	26	76	1256
4TRW8X16	205		8	222				100	1549
4TRW10X16	256		10	270				124	1843
4TRW6X20	192	20	6	181	37 1/2	46	33	76	1419
4TRW8X20	256		8	229				100	1743
4TRW10X20	320		10	277				124	2068
4TRW6X24	230	24	6	188 1/2	37 1/2	54 1/2	40 1/2	76	1661
4TRW8X24	307		8	236 1/2				100	2037
4TRW10X24	384		10	284 1/2				124	2415
5TRW6X25	240	25	6	181	46	46	33	76	1589
5TRW8X25	320		8	229				100	1945
5TRW10X25	400		10	277				124	2302
5TRW6X30	288	30	6	188 1/2	46	54 1/2	40 1/2	76	1846
5TRW8X30	384		8	236 1/2				100	2256
5TRW10X30	480		10	284 1/2				124	2666
5TRW6X35	336	35	6	196	46	63	48	76	2062
5TRW8X35	448		8	244				100	2504
5TRW10X35	560		10	292				124	2947
6TRW6X36	346	36	6	188 1/2	54 1/2	54 1/2	40 1/2	76	2115
6TRW8X36	461		8	236 1/2				100	2579
6TRW10X36	576		10	284 1/2				124	3045
6TRW8X42	538	42	8	244	54 1/2	63	48	100	2845
6TRW10X42	672		10	292				124	3344
6TRW8X48	614		8	251				100	3083
6TRW10X48	768	48	10	299	54 1/2	71 1/2	55	124	3616
7TRW8X49	627	49	8	244	63	63	48	100	3081
7TRW10X49	784		10	292				124	3615
7TRW8X56	717	56	8	251	63	71 1/2	55	100	3333
7TRW10X56	896		10	299				124	3902
7TRW8X63	806	63	8	258 1/2	63	80	62 1/2	100	4156
7TRW10X63	1008		10	305 1/2				124	4781

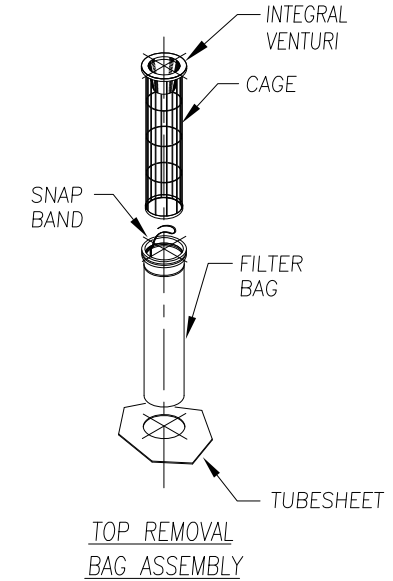


STANDARD FEATURES

1. ALL WELDED HEAVY-DUTY CONSTRUCTION
2. PRESSURE/VACUUM RATING: +/-20"W.C.
3. STANDARD MATERIALS OF CONSTRUCTION: CARBON STEEL, STAINLESS STEEL, ALUMINUM
4. STANDARD ELECTRICALS: NEMA 4 TIMER AND SOLENOID ENCLOSURES
5. PAINT IS STANDARD WHITE OR ENVIROGREEN INDUSTRIAL ENAMEL.

OPTIONAL FEATURES

1. STRUCTURAL SUPPORTS
2. SERVICE PLATFORMS
3. EXPLOSION VENTING
4. EXPLOSION-PROOF ELECTRICALS
5. HIGHER PRESSURE/VACUUM RATING
6. BIN VENT STYLE
7. WIDE BAG SPACING
8. WALK-IN CLEAN AIR PLENUM



WALK-IN REMOVAL BAG DUST COLLECTOR (9 TO 63 BAGS)



9732 PFLUMM, LENEXA, KS 66215 PHONE: 913-831-0740 • FAX: 913-831-9271

TITLE: WALK-IN TOP REMOVAL BAG DUST COLLECTOR MODEL 3TRW6X9 TO 7TRW10X63 (9 TO 63 BAGS)				
DATE: 8-10-99	DRN BY: DES	DWG. NO.: CAT-WITO	P.S.: 32-00	REV.: #1