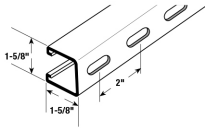

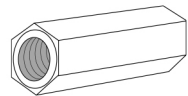
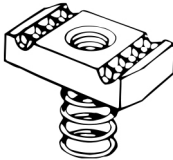



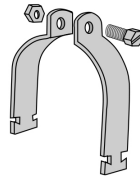
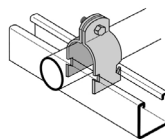
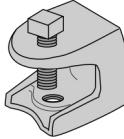


# CONVEY LINE

## Installation Components

COMPONENT	DESCRIPTION
<p>1 1/8" Channel</p> 	<p>Slotted channel 9/16" x 1-1/8" slots on 2" center 12-gauge roll-formed strip Standard finish galvanized Available in 10' and 20' length</p>
<p>Threaded Rod</p> 	<p>Electro galvanized Available in 3/8" and 1/2" diameter 6' and 12' lengths</p>
<p>Rod Couplers</p> 	<p>Couplers to accommodate 3/8" coupler 1/2" coupler</p>
<p>Spring Nut</p> 	<p>3/8" – 16 spring nuts 1/2" – 13 spring nuts</p>
<p>Hex Nut</p> 	<p>3/8" – 16 nut 1/2" – 13 nut</p>

NOTES:  
Standard finish galvanized.  
Installation components are non-returnable.

COMPONENT	DESCRIPTION
<p>Flat Washer</p> 	<p>3/8" flat washer 1/2" flat washer</p>
<p>Lock Washer</p> 	<p>3/8" lock washer 1/2" lock washer</p>
<p>Pipe Clamp</p> 	<p>Galvanized Slotted hex-head screw and nut included Sizes (in.): 2, 2 1/2, 3, 3 1/2, 4, 5, 6, 8</p>
<p>Tube Clamp</p> 	<p>Galvanized Slotted hex-head screw and nut included Sizes (in.): 1 1/2, 2, 2 1/8, 2 1/4, 2 1/2, 3, 3 1/2, 4, 4 1/2, 5, 6, 8</p>
<p>Beam Clamp</p> 	<p>With set screw for 3/8" and 1/2" rod Standard finish galvanized 3/8" beam clamp 1/2" beam clamp</p>

Clamps, coupler and hardware items are sold in box quantity only. Box quantities are indicated for each item. Standard finish electro galvanized.

# CAMCORP

A MEMBER OF THE SCHEUCH GROUP

ALL STATED SPECIFICATIONS ARE SUBJECT TO CHANGE WITHOUT NOTICE OR OBLIGATION. VISIT CAMCORPINC.COM FOR THE LATEST INFORMATION.

installationcomponents 07/19 ©CAMCORP, INC.