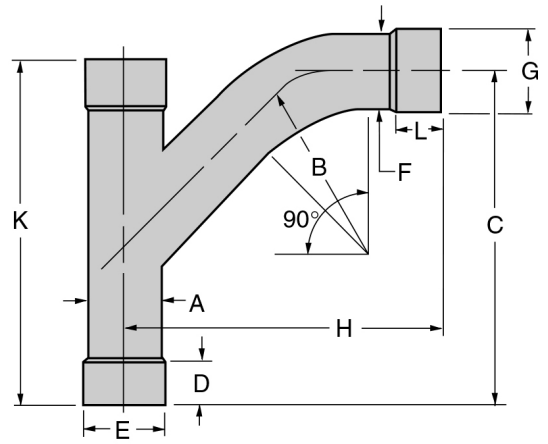


TUBE & PIPE



Vacuum Bends

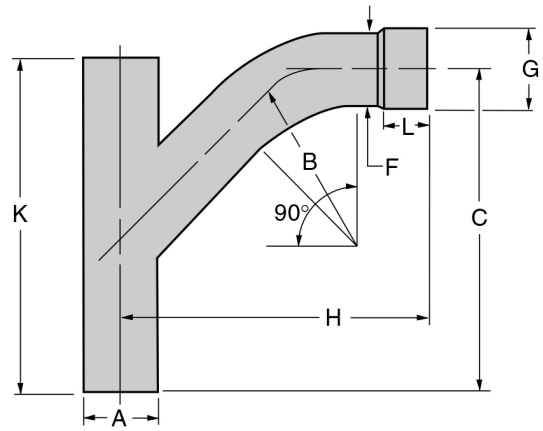
Standard 90° Y's

SIZE (IN.)	A-O.D. (IN.)	GAUGE	B (IN.)	C (IN.)	D (IN.)	E-I.D. (IN.)	F-O.D. (IN.)	GAUGE	G-I.D. (IN.)	H (IN.)	K (IN.)	L (IN.)
2 ½	2 ½	16	5	9-5/32	1 ¼	2 ½	2 ½	16	2 ½	8-13/16	9 ½	1 ¼
2 ½ x 2 ½	2 ½	16	5	9-11/32	1 ¼	2 ½	2 ½	16	2 ½	9	10	1 ¼
2 ½	2 ½	16	6	10 ½	1 ¼	2 ½	2 ½	16	2 ½	10-1/32	10	1 ¼
3 x 2 ½	3	16	5	9-19/32	1 ¼	3	2 ½	16	2 ½	9 ¼	10 ½	1 ¼
3 x 2 ½	3	16	6	10 ¾	1 ¼	3	2 ½	16	2 ½	10-9/32	10 ½	1 ¼
3	3	16	7 ½	12 ¾	1 ¼	3	3	16	3	11-25/32	11 ½	1 ¼
3 ½ x 2 ½	3 ½	16	5	9-27/32	1 ¼	3 ½	2 ½	16	2 ½	9 ½	11	1 ¼
3 ½ x 2 ½	3 ½	16	6	11	1 ¼	3 ½	2 ½	16	2 ½	10-17/32	11	1 ¼
3 ½ x 3	3 ½	16	7 ½	12 ¾	1 ¼	3 ½	3	16	3	12-1/32	13	1 ¼
3 ½	3 ½	16	8 ¾	14 ¾	1 ¼	3 ½	3 ½	16	3 ½	13-11/32	13	1 ¼
4 x 2 ½	4	16	5	10-3/32	1 ¼	4	2 ½	16	2 ½	9 ¾	12	1 ¼
4 x 2 ½	4	16	6	11 ¼	1 ¼	4	2 ½	16	2 ½	10-25/32	12	1 ¼
4 x 3	4	16	7 ½	12-7/8	1 ¼	4	3	16	3	12-9/32	12	1 ¼
4 x 3 ½	4	16	8 ¾	14 ¾	1 ¼	4	3 ½	16	3 ½	13-19/32	14	1 ¼
4	4	16	10	15 ¾	1 ¼	4	4	16	4	14-29/32	14	1 ¼
5 x 2 ½	5	14	5	10-19/32	1 ½	5	2 ½	16	2 ½	10 ¾	13	1 ¼
5 x 2 ½	5	14	6	11 ¾	1 ½	5	2 ½	16	2 ½	11-9/32	13	1 ¼
5 x 3	5	14	7 ½	13 ¾	1 ½	5	3	16	3	12-25/32	15 ½	1 ¼
5 x 3 ½	5	14	8 ¾	14 ¾	1 ½	5	3 ½	16	3 ½	14-3/32	15 ½	1 ¼
5 x 4	5	14	10	16 ¾	1 ½	5	4	16	4	15-13/32	15 ½	1 ¼
5	5	14	12 ½	19 ¾	1 ½	5	5	14	5	18 ¾	18 ½	1 ½
6 x 2 ½	6	14	5	11-3/32	1 ½	6	2 ½	16	2 ½	10 ¾	15	1 ¼
6 x 2 ½	6	14	5	12 ¼	1 ½	6	2 ½	16	2 ½	11-25/32	15	1 ¼
6 x 3	6	14	7 ½	13 ¾	1 ½	6	3	16	3	13-9/32	15	1 ¼
6 x 3 ½	6	14	8 ¾	15 ¾	1 ½	6	3 ½	16	3 ½	14-19/32	17	1 ¼
6 x 4	6	14	10	16 ¾	1 ½	6	4	16	4	15-29/32	17	1 ¼
6 x 5	6	14	12 ½	19 ¾	1 ½	6	5	14	5	19 ¾	21	1 ½
6	6	14	15	22 ¾	1 ½	6	6	14	6	22-11/32	21	1 ½

TUBE & PIPE

Vacuum Bends

Standard 90° Y's



SIZE (IN.)	A-O.D. (IN.)	GAUGE	B (IN.)	C (IN.)	F-O.D. (IN.)	GAUGE	G-I.D. (IN.)	H (IN.)	K (IN.)	L (IN.)
8 x 2 1/8	8	14	5	12-3/32	2 1/8	16	2 1/8	11 3/4	18	1 1/4
8 x 2 1/2	8	14	6	13 1/4	2 1/2	16	2 1/2	12-25/32	18	1 1/4
8 x 3	8	14	7 1/2	14 7/8	3	16	3	14-9/32	18	1 1/4
8 x 3 1/2	8	14	8 3/4	16 3/8	3 1/2	16	3 1/2	15-19/32	21	1 1/4
8 x 4	8	14	10	17 7/8	4	16	4	16-29/32	21	1 1/4
8 x 5	8	14	12 1/2	20 7/8	5	14	5	20 1/8	24	1 1/2
8 x 6	8	14	15	23 7/8	6	14	6	23-11/32	24	1 1/2
8	8	14	20	29 7/8	8	14	-	29-17/32	29	-
10 x 2 1/8	10	+	5	13-3/32	2 1/8	16	2 1/8	12 3/4	21	1 1/4
10 x 2 1/2	10	+	6	14 1/4	2 1/2	16	2 1/2	13-25/32	21	1 1/4
10 x 3	10	+	7 1/2	15 7/8	3	16	3	15-9/32	21	1 1/4
10 x 3 1/2	10	+	8 3/4	17 7/8	3 1/2	16	3 1/2	16-19/32	24	1 1/4
10 x 4	10	+	10	18 7/8	4	16	4	17-29/32	24	1 1/4
10 x 5	10	+	12 1/2	21 7/8	5	14	5	21 1/8	24	1 1/2
10 x 6	10	+	15	24 7/8	6	14	6	24-11/32	28	1 1/2
10 x 8	10	+	20	30 7/8	8	14	-	30-17/32	32	-
10	10	+	32	40 3/8	10	12	-	42-25/32	36	-
12 x 2 1/8	12	+	5	14-3/32	3 1/2	16	2 1/8	13 3/4	24	1 1/4
12 x 2 1/2	12	+	6	15 1/4	4	16	2 1/2	14-25/32	24	1 1/4
12 x 3	12	+	7 1/2	16 7/8	5	14	3	16-9/32	24	1 1/2
12 x 3 1/2	12	+	8 3/4	18 3/8	2 1/8	16	3 1/2	17-19/32	27	1 1/4
12 x 4	12	+	10	19 7/8	2 1/2	16	4	18-29/32	27	1 1/4
12 x 5	12	+	12 1/2	22 7/8	3	16	5	22 1/8	27	1 1/2
12 x 6	12	+	15	25 7/8	3 1/2	16	6	12-11/32	31	1 1/2
12 x 8	12	+	20	31 7/8	4	16	-	31-17/32	35	-
12 x 10	12	+	32	41 3/8	5	14	-	13-25/32	39	-
12	12	+	36*	46 7/8	6	14	-	49 1/8	43	-

When ordering, specify type of material: Carbon Steel, Zinc Galv. Coated Steel, Stainless Steel, Aluminum. Bell or Straight Ends – 2 1/8" through 6". Straight ends only – 8" and up. * Segmented (3-piece miter) + Consult factory

CAMCORP

A MEMBER OF THE SCHEUCH GROUP

ALL STATED SPECIFICATIONS ARE SUBJECT TO CHANGE WITHOUT NOTICE OR OBLIGATION. VISIT CAMCORPINC.COM FOR THE LATEST INFORMATION.

standard90Y 07/19 ©CAMCORP, INC.